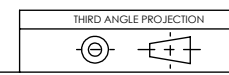
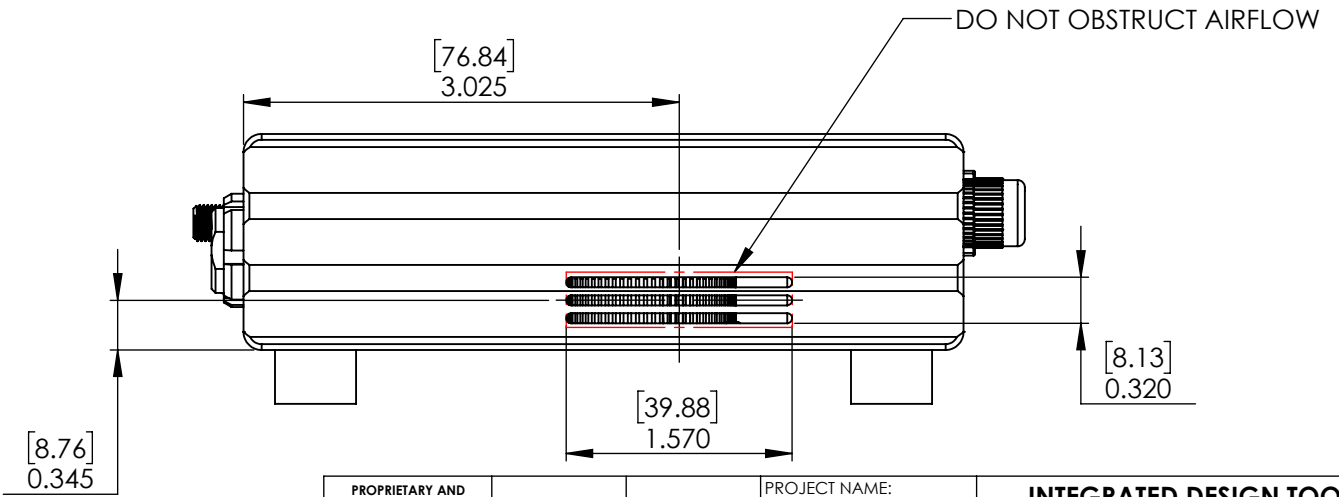
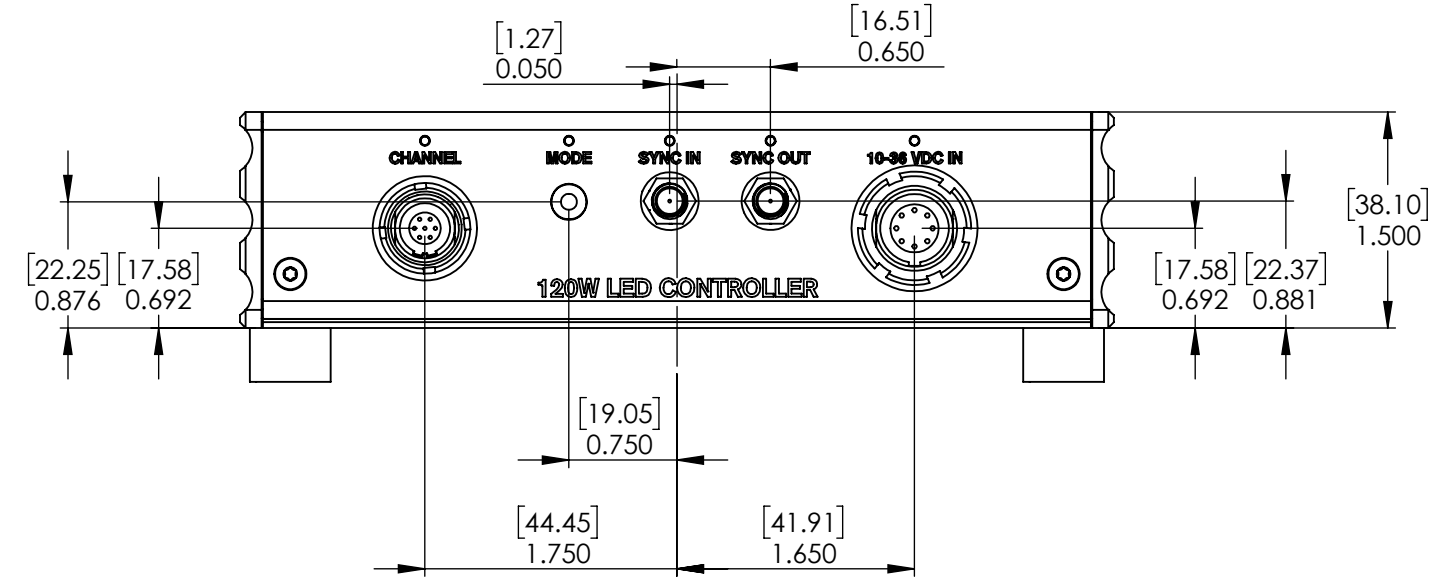
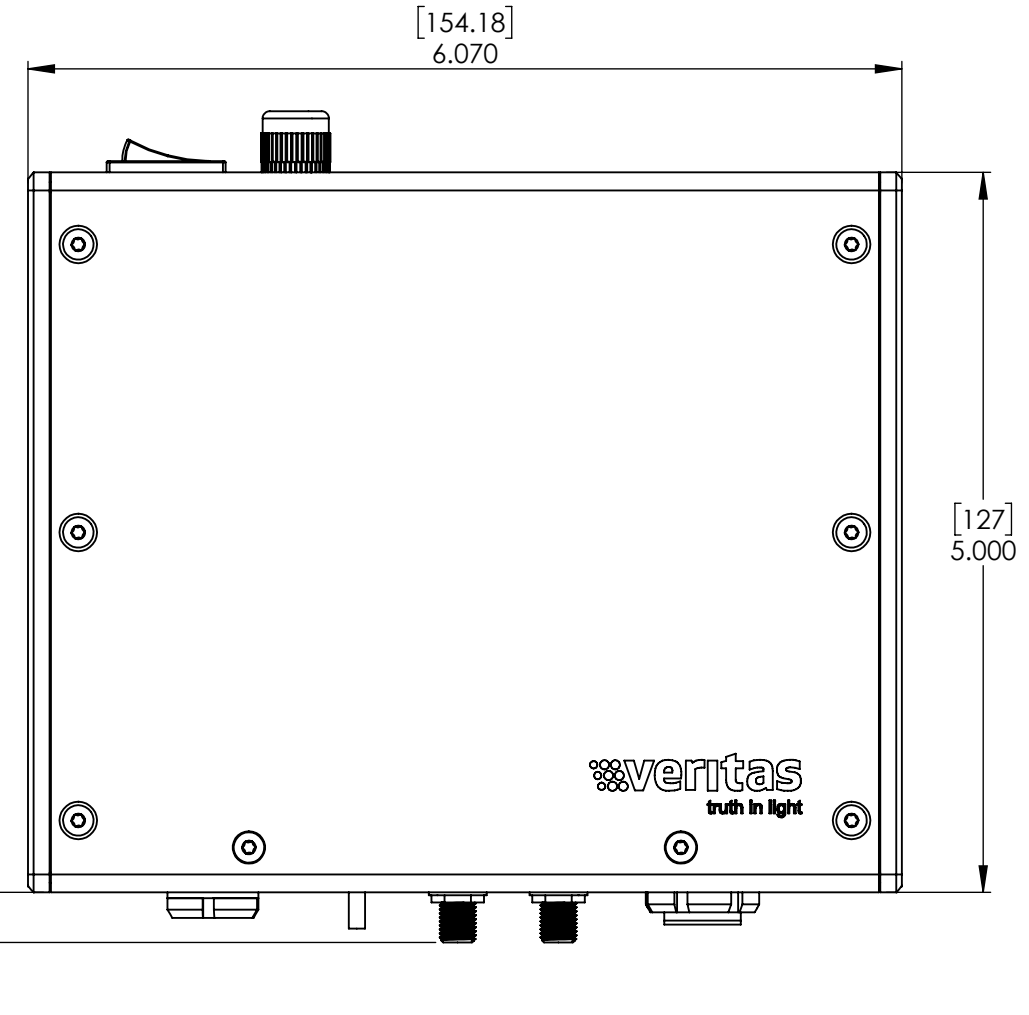


NOTES: UNLESS OTHERWISE SPECIFIED



REVISIONS				
ZONE	REV.	DESCRIPTION	DATE	APPROVED



<p>PROPRIETARY AND CONFIDENTIAL</p> <p>THE INFORMATION CONTAINED IN THIS DRAWING IS THE SOLE PROPERTY OF INTEGRATED DESIGN TOOLS, INC. ANY REPRODUCTION IN PART OR AS A WHOLE WITHOUT THE WRITTEN PERMISSION OF INTEGRATED DESIGN TOOLS, INC. IS PROHIBITED.</p> <p>IDT</p>	<p>UNLESS OTHERWISE SPECIFIED: DIMENSIONS ARE IN INCHES TOLERANCES ON:</p> <p>FRACTIONAL DECIMAL ANGULAR $\pm 1/16$.X $\pm .03$ $\pm 1^\circ$.XX $\pm .01$.XXX $\pm .005$</p> <p>DO NOT SCALE DRAWING</p>	<p>PROJECT NAME: 120W LED CONT, 3RD GEN</p>	<p>INTEGRATED DESIGN TOOLS, INC 1 WEST MOUNTAIN STREET SUITE 3 PASADENA, CA 91103</p>
		<p>DATE: 11/12/2015</p>	<p>TITLE: FINAL ASSY, 120W LED CONT, 3RD GEN., ICD</p>
		<p>DESIGNED BY: B. MOAK</p> <p>CHECKED BY: X. XXXX</p> <p>DRAWN BY: B. MOAK</p>	<p>DATE: 11/12/2015</p> <p>MECH. ENGINEER: B. MOAK</p> <p>ELECTRICAL ENGINEER: B. MOAK</p> <p>OPERATION MANAGER:</p> <p>PROGRAM MANAGER:</p>
		<p>SIZE: B</p> <p>SCALE: 3:4</p>	<p>DWG. NO. 1131-0100</p> <p>DATE: 6/25/2018</p>

A

B

C

D

E

A

B

C

D

E

8

7

6

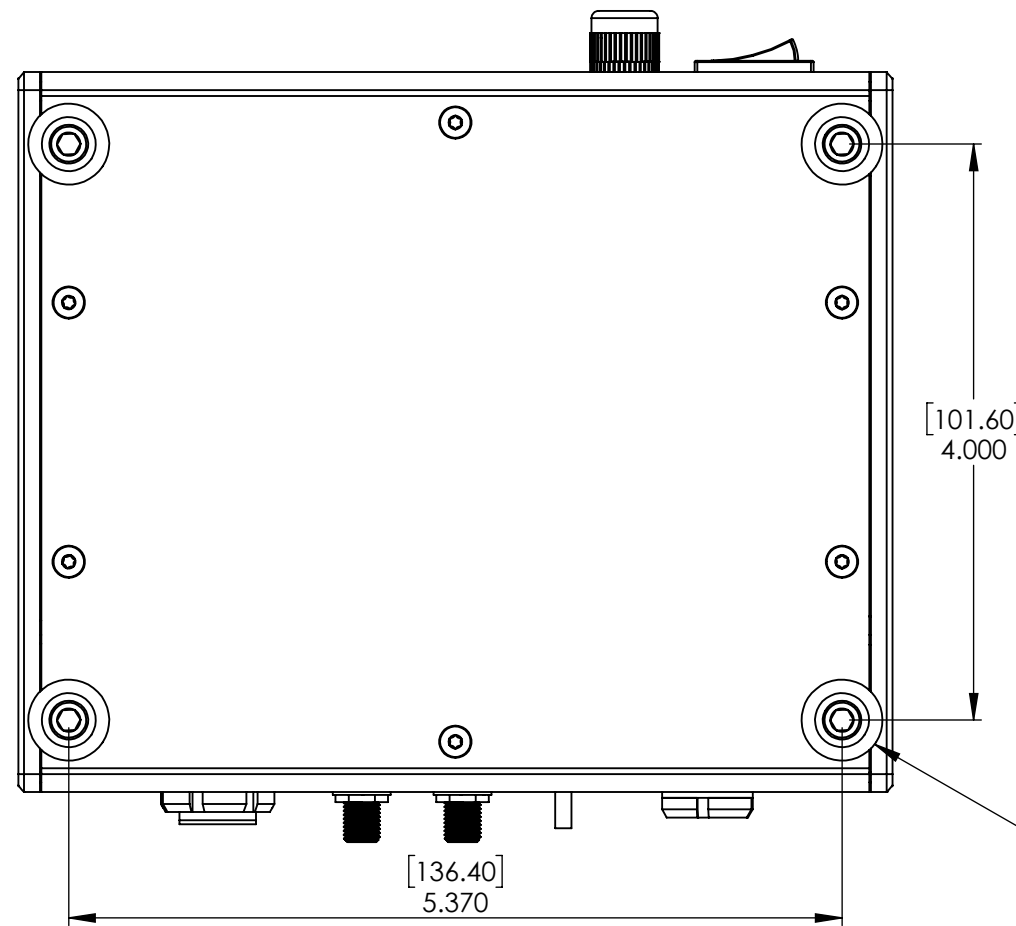
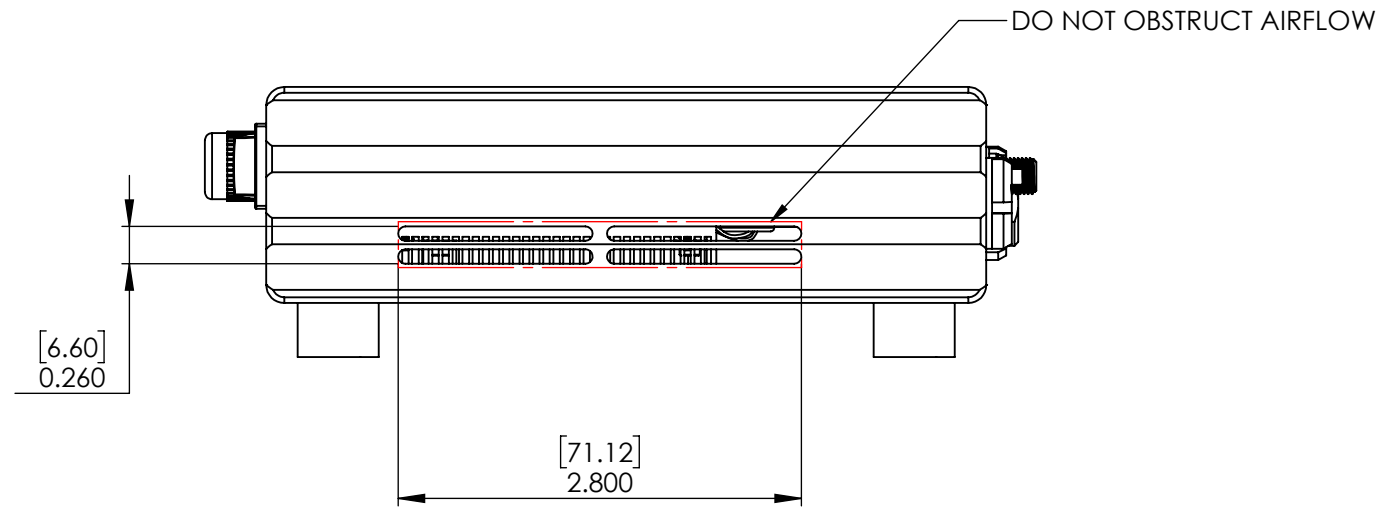
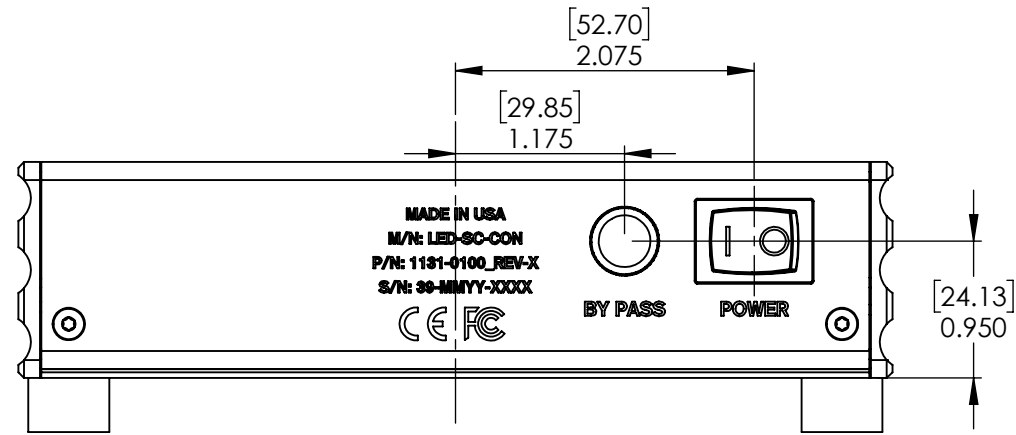
5

4

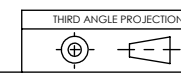
3

2

1



REMOVABLE RUBBER FEET
#8-32 MOUNTING HOLES
4X



PROPRIETARY AND CONFIDENTIAL <small>THE INFORMATION CONTAINED IN THIS DRAWING IS THE SOLE PROPERTY OF INTEGRATED DESIGN TOOLS, INC. ANY REPRODUCTION IN PART OR AS A WHOLE WITHOUT THE WRITTEN PERMISSION OF INTEGRATED DESIGN TOOLS, INC. IS PROHIBITED.</small>	PROJECT NAME: 120W LED CONT, 3RD GEN	INTEGRATED DESIGN TOOLS, INC <small>1 WEST MOUNTAIN STREET SUITE 3 PASADENA, CA 91103</small>	
	UNLESS OTHERWISE SPECIFIED: DIMENSIONS ARE IN INCHES TOLERANCES ON: FRACTIONAL DECIMAL ANGULAR $\pm 1/16$ $X \pm .03$ $\pm 1^\circ$ $.XX \pm .01$ $.XXX \pm .005$	TITLE: FINAL ASSY, 120W LED CONT, 3RD GEN., ICD	
DO NOT SCALE DRAWING	SIZE: B	DWG. NO. 1131-0100	SCALE: 3:4
		DATE: 6/25/2018	SHEET 2 OF 2

8

7

6

5

4

3

2

1