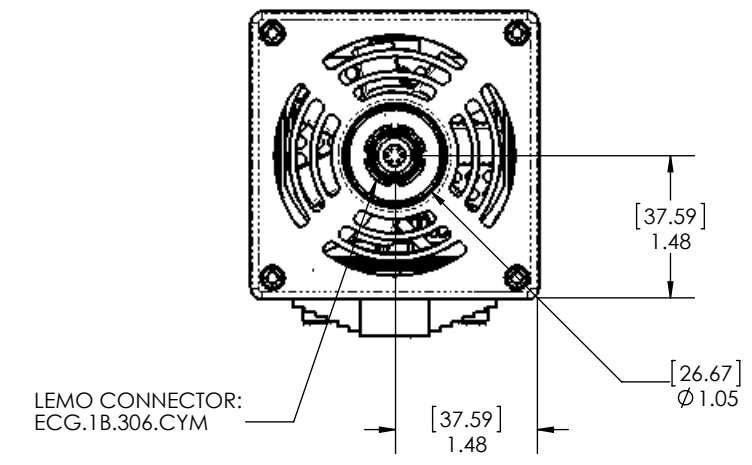
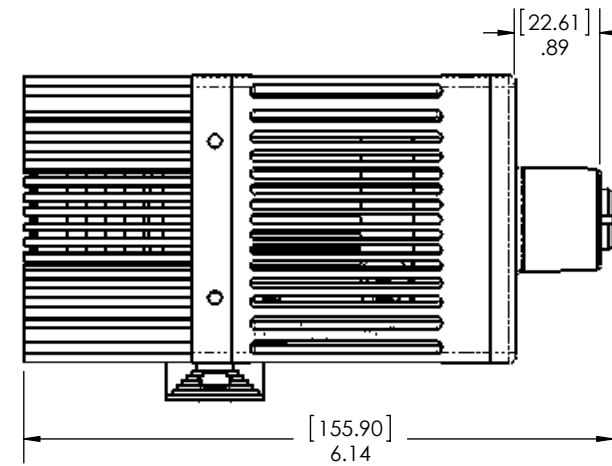
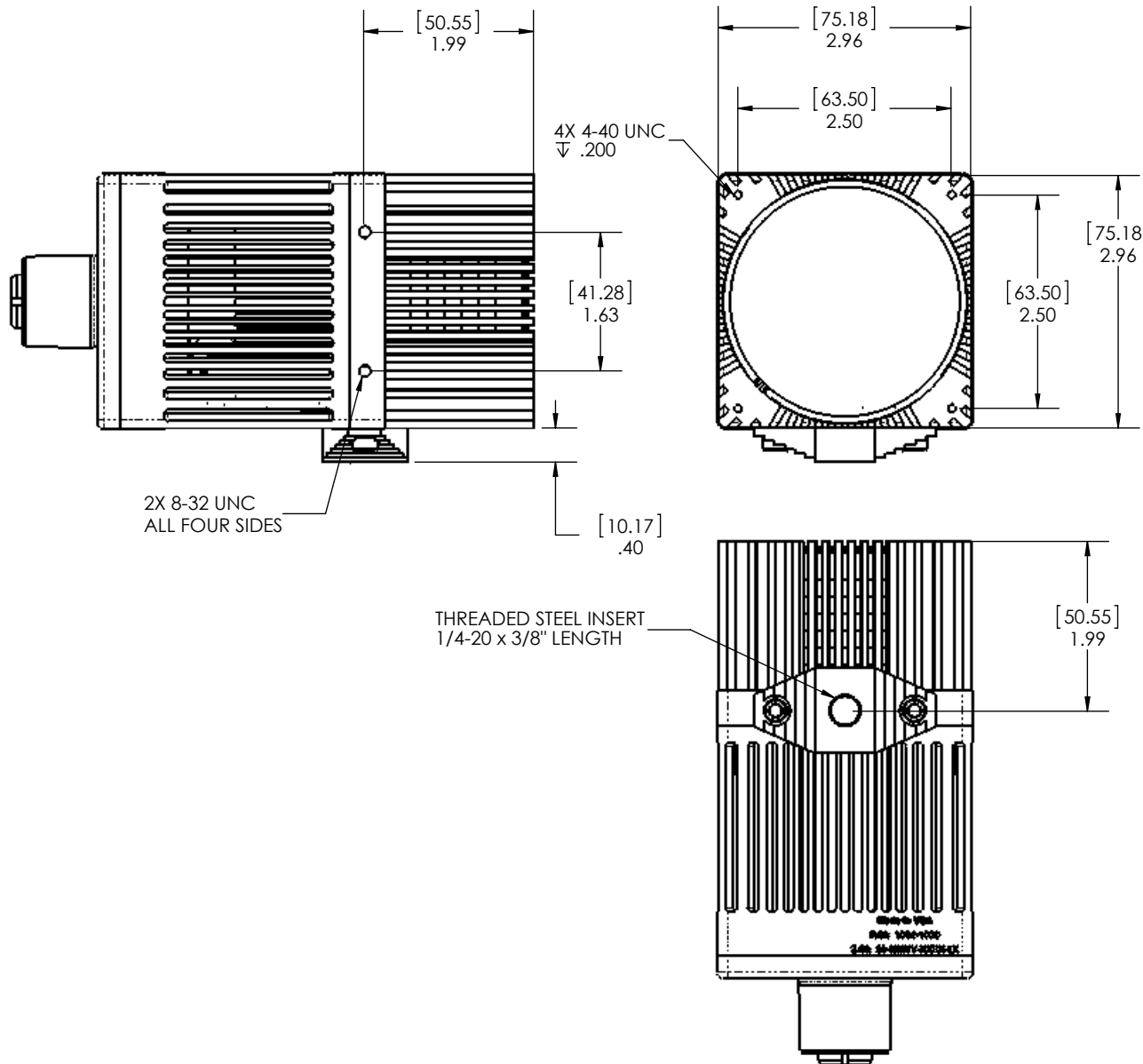
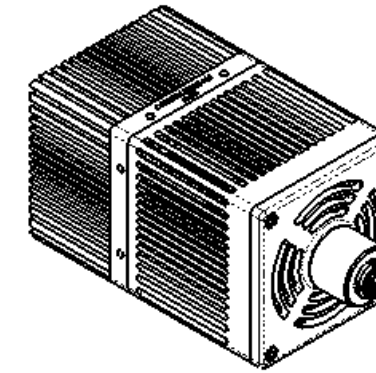
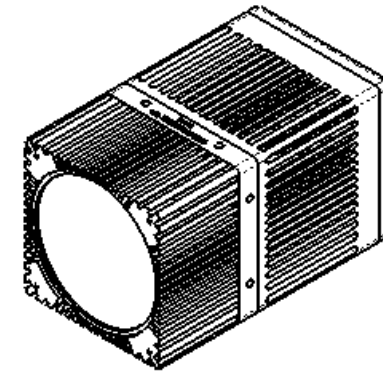
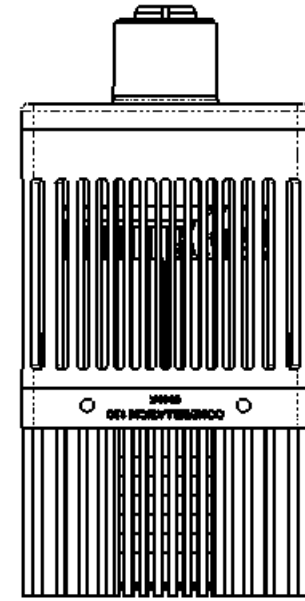


INTERFACE CONTROL DOCUMENT

REVISIONS				
ZONE	REV.	DESCRIPTION	DATE	APPROVED
	A	INITIAL RELEASE	10/10/2012	B. MOAK
	A2	ECO-13-052, UPDATED TITLE BLOCK WITH NEW LOGO, CO. NAME, AND PROPRIETARY INFO.	08/30/2013	B. MOAK
	B	NEW REAR FAN INTAKE PATTERN	9/21/2015	B. MOAK



THIRD ANGLE PROJECTION		
NEXT ASSY	USED ON	
APPLICATION		

<p>PROPRIETARY AND CONFIDENTIAL</p> <p>THE INFORMATION CONTAINED IN THIS DRAWING IS THE SOLE PROPERTY OF VERITAS. ANY REPRODUCTION IN PART OR AS A WHOLE WITHOUT THE WRITTEN PERMISSION OF VERITAS IS PROHIBITED.</p>	<p>INTERPRET THIS DRAWING PER ASME Y14.5M-1994</p> <p>UNLESS OTHERWISE SPECIFIED: DIMENSIONS ARE IN INCHES</p> <p>TOLERANCES ON:</p> <p>FRACTIONAL DECIMAL ANGULAR</p> <p>$\pm 1/16$.X \pm .1 $\pm 1^\circ$</p> <p>.XX \pm .03</p> <p>.XXX \pm .010</p>	<p>PROJECT NAME: CONSTELLATION 120</p> <p>DATE: 10/10/2012</p> <p>DESIGNED BY: BRYAN MOAK</p> <p>DRAWN BY: BRYANT SHUMAKER</p> <p>CHECKED BY: BRYAN MOAK</p> <p>ELECTRICAL ENGINEER: SORINI CROICU</p> <p>OPERATION MANAGER: LUIZ LOURENCO</p>	<p>INTEGRATED DESIGN TOOLS, INC</p> <p>1 WEST MOUNTAIN STREET SUITE 3 PASADENA, CA 91103</p> <p>TITLE: CONSTELLATION 120 LED, ICD</p> <p>SIZE: B</p> <p>DWG. NO. 1064-1000</p> <p>DATE: 2/29/2016</p>
	<p>DO NOT SCALE DRAWING</p>	<p>PROGRAM MANAGER: LUIZ LOURENCO 10/10/2012</p>	<p>SCALE: 1:2</p>

REV B2 1064-1000.ICD