

INTERACE CONTROL DOCUMENT

1. MASS PROPERTIES: MASS = X.XXX LBS; XX.XX OZ; XXX GRAMS
 CENTER OF MASS: (INCHES) X=X.X, Y=X.X, Z=X.X

2. CONNECTORS:

J1: POWER 48VDC
 RECEPTACLE 4-PIN DIN
 CUI P/N: PD-40VS
 MATING PLUG: KYCON KPPX-4P OR SIMILAR

J2 & J3: BNC 50 OHM

J4: USB MINI-B FOR DMX ACCESSORIES

3. HOUSING BECOMES HOT UNDER OPERATION. TO HANDLE GRAB YELLOW GRIP RINGS.

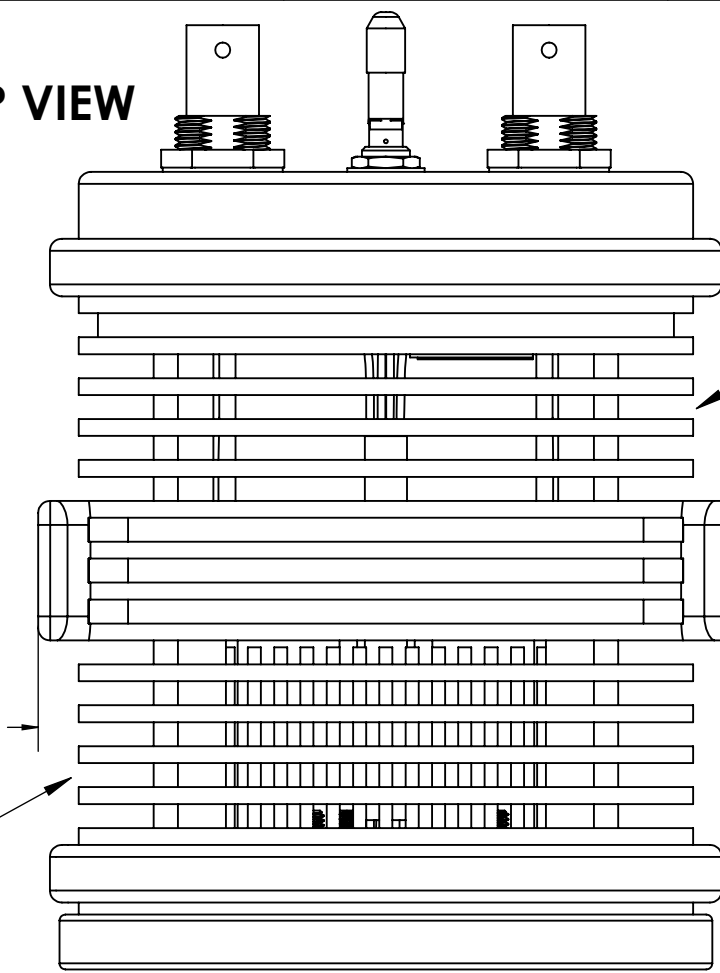
4. TO PREVENT DAMAGE TO LIGHT AND SURFACE DUE TO EXCESSIVE HEAT BUILD UP, DO NOT OPERATE LIGHT FACE DOWN ON ANY SURFACE.

CONSTELLATION™ 120E
 120WATT INTELLIGENT LED LUMINAIRE
 With 15° and 28° FWHM BEAM ANGLE

1417-0100-1 C-120E 15°
 1417-0100-2 C-120E 28°

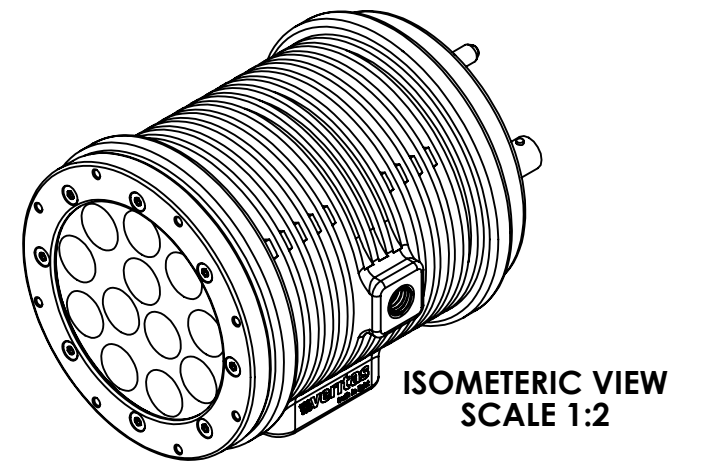
| REVISIONS | | | | | |
|-----------|------|------------|------------------|------------|----------|
| ZONE | REV. | ECO # | DESCRIPTION | DATE | APPROVED |
| | A | ECO-15-006 | INITIAL RELEASE. | 03/11/2015 | B. MOAK |

TOP VIEW

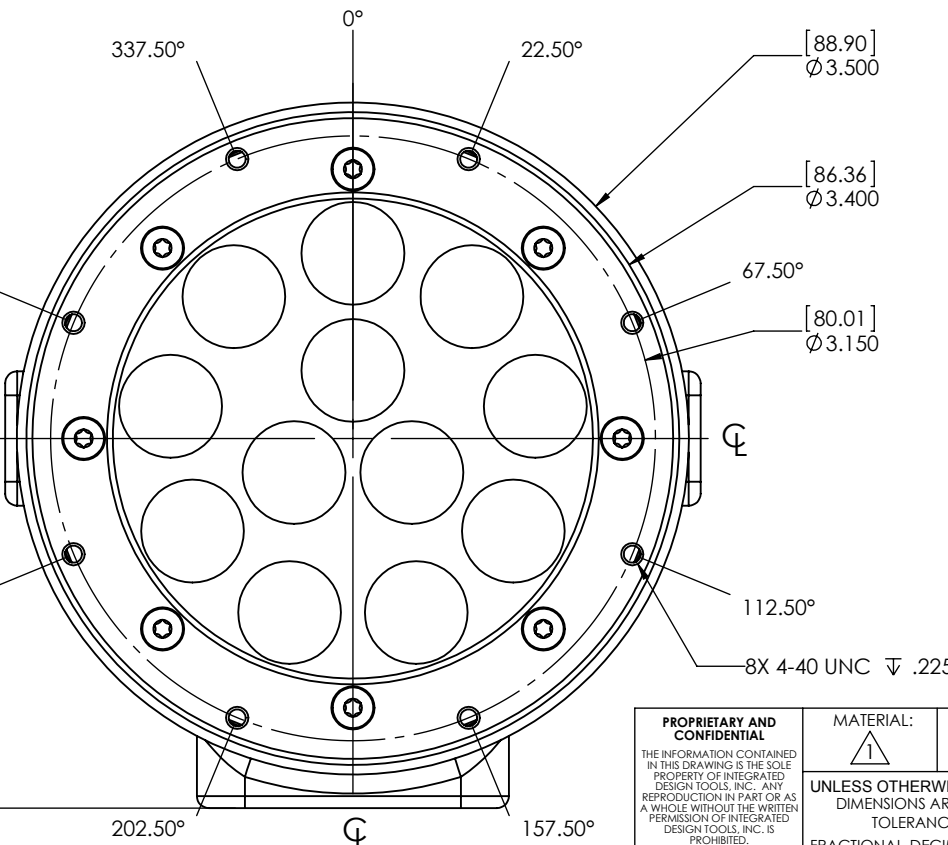
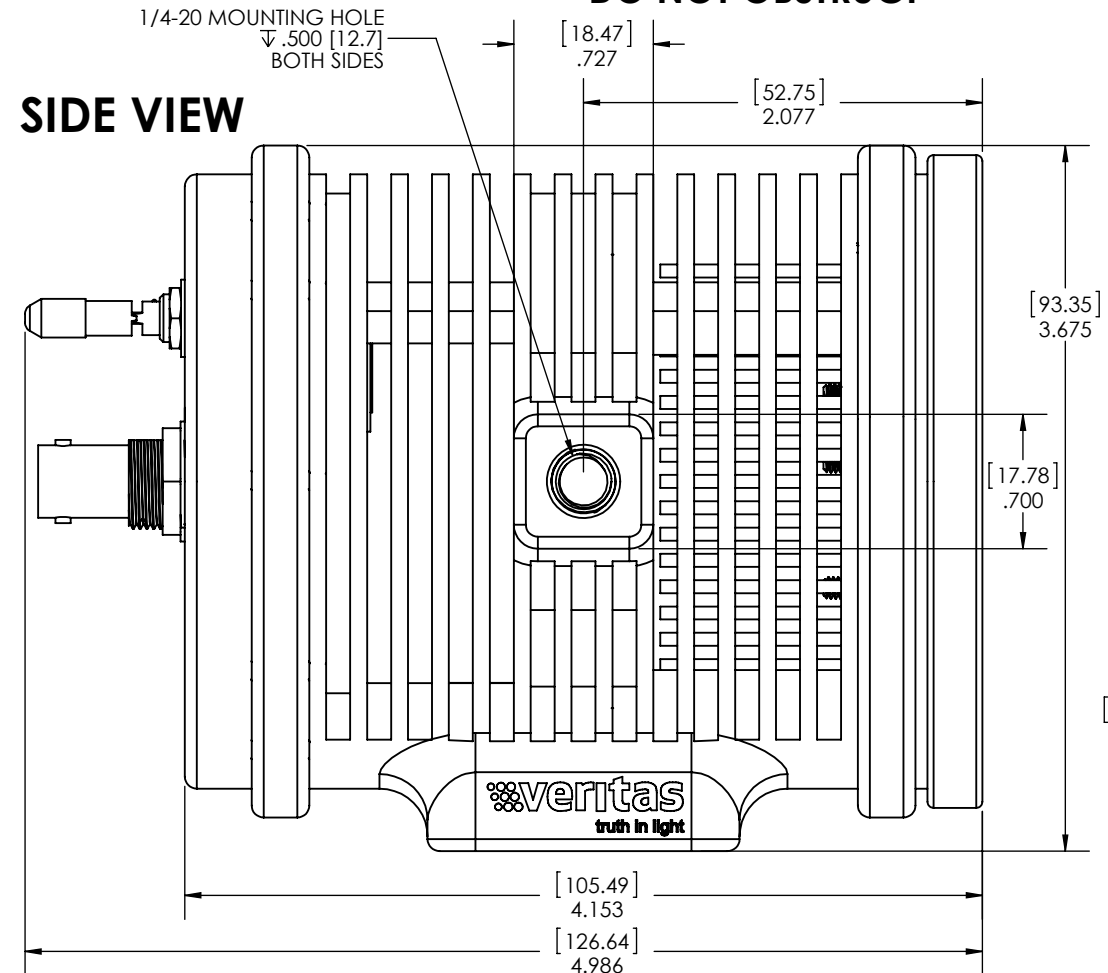


**AIR INTAKE (TOWARDS REAR)
 DO NOT OBSTRUCT**

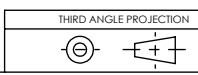
**AIR EXHAUST (TOWARDS FRONT)
 DO NOT OBSTRUCT**



SIDE VIEW



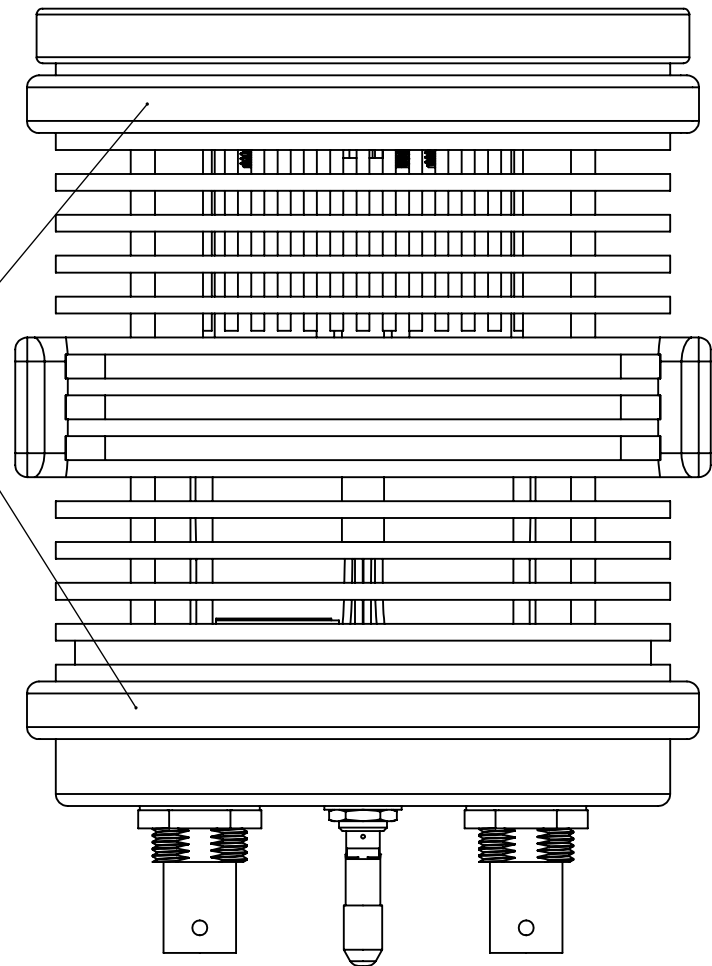
FRONT VIEW



| | | | | |
|--|---|-----------------------|---|---|
| PROPRIETARY AND CONFIDENTIAL THE INFORMATION CONTAINED IN THIS DRAWING IS THE SOLE PROPERTY OF INTEGRATED DESIGN TOOLS, INC. ANY REPRODUCTION IN PART OR AS A WHOLE WITHOUT THE WRITTEN PERMISSION OF INTEGRATED DESIGN TOOLS, INC. IS PROHIBITED. | MATERIAL: 1 | FINISH: 2 | PROJECT NAME: CONSTELLATION 120E | INTEGRATED DESIGN TOOLS, INC 1 WEST MOUNTAIN STREET SUITE 3 PASADENA, CA 91103 |
| | UNLESS OTHERWISE SPECIFIED: DIMENSIONS ARE IN INCHES TOLERANCES ON: FRACTIONAL DECIMAL ANGULAR ±1/16 .X ±.03 ±1° .XX ±.01 .XXX ±.005 | | DRAWN: B. MOAK 03/11/2015 CHECKED: N. PINOS 03/11/2015 MECH. ENGINEER: B. MOAK 03/11/2015 ELECTRICAL ENGINEER: OPERATION MANAGER: PROGRAM MANAGER: | |
| veritas truth in light | DO NOT SCALE DRAWING | SIZE: B SCALE: 1:1 | DWG. NO. 1417-0100 DATE: 2/29/2016 | REV A SHEET 1 OF 4 |

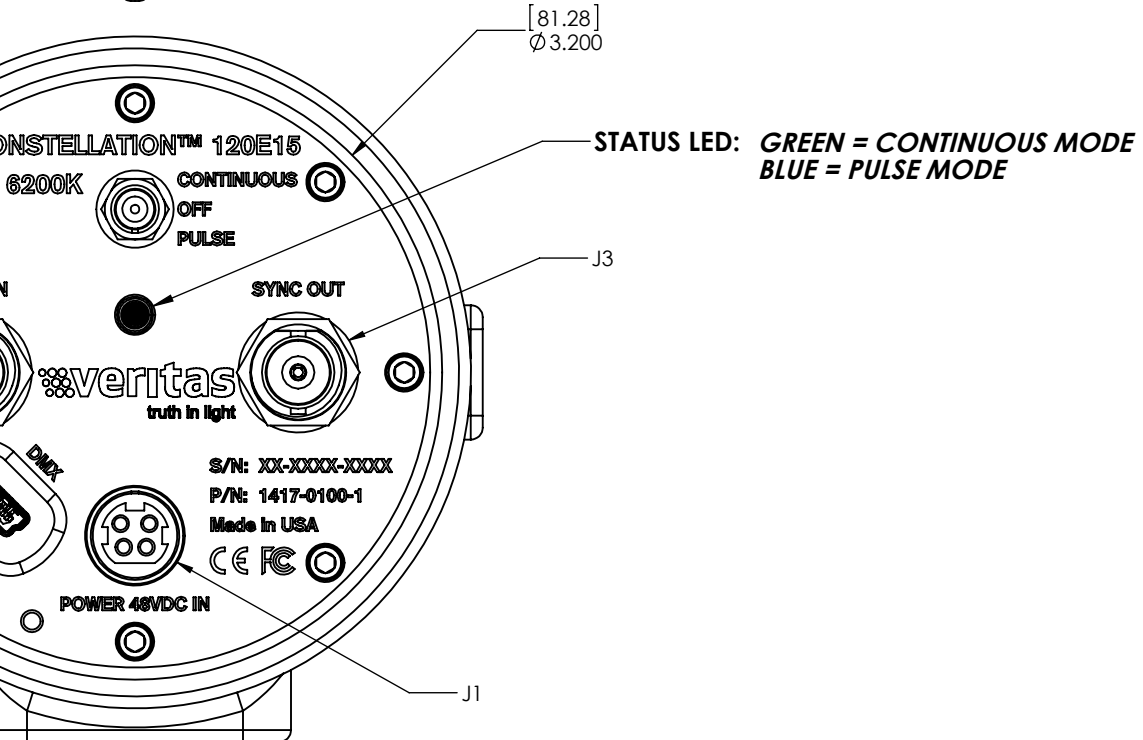
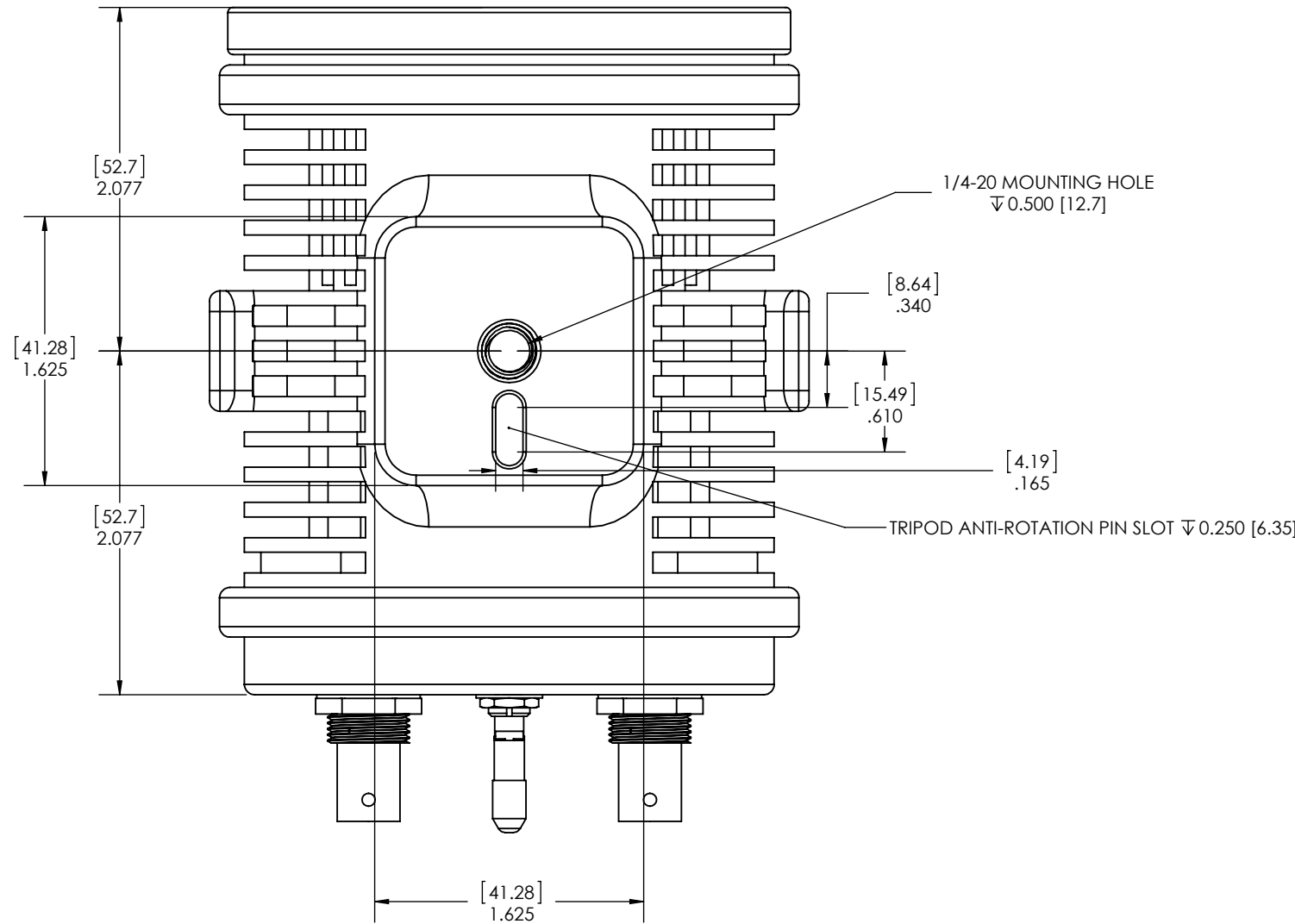
8 7 6 5 4 3 2 1

TOP VIEW

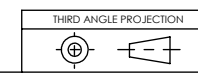


URETHANE RINGS FOR HANDLING LIGHT WHEN HOT

BOTTOM VIEW



REAR VIEW

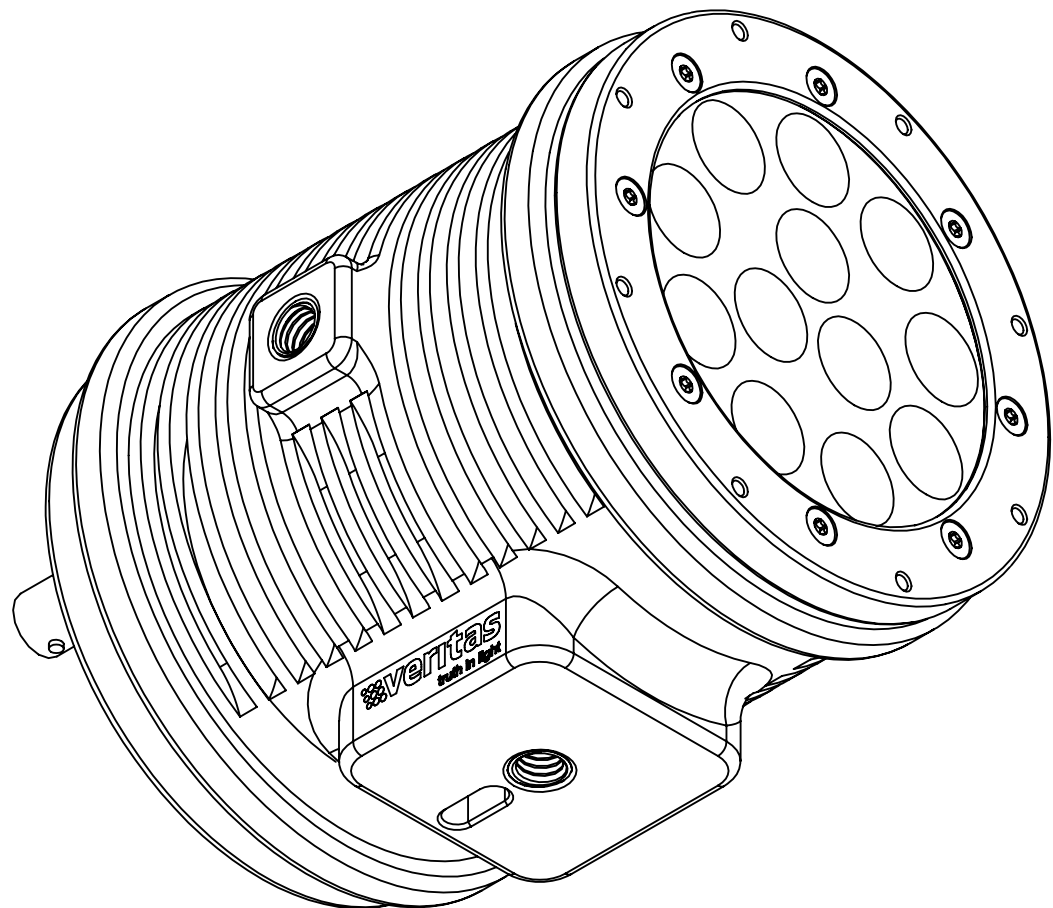
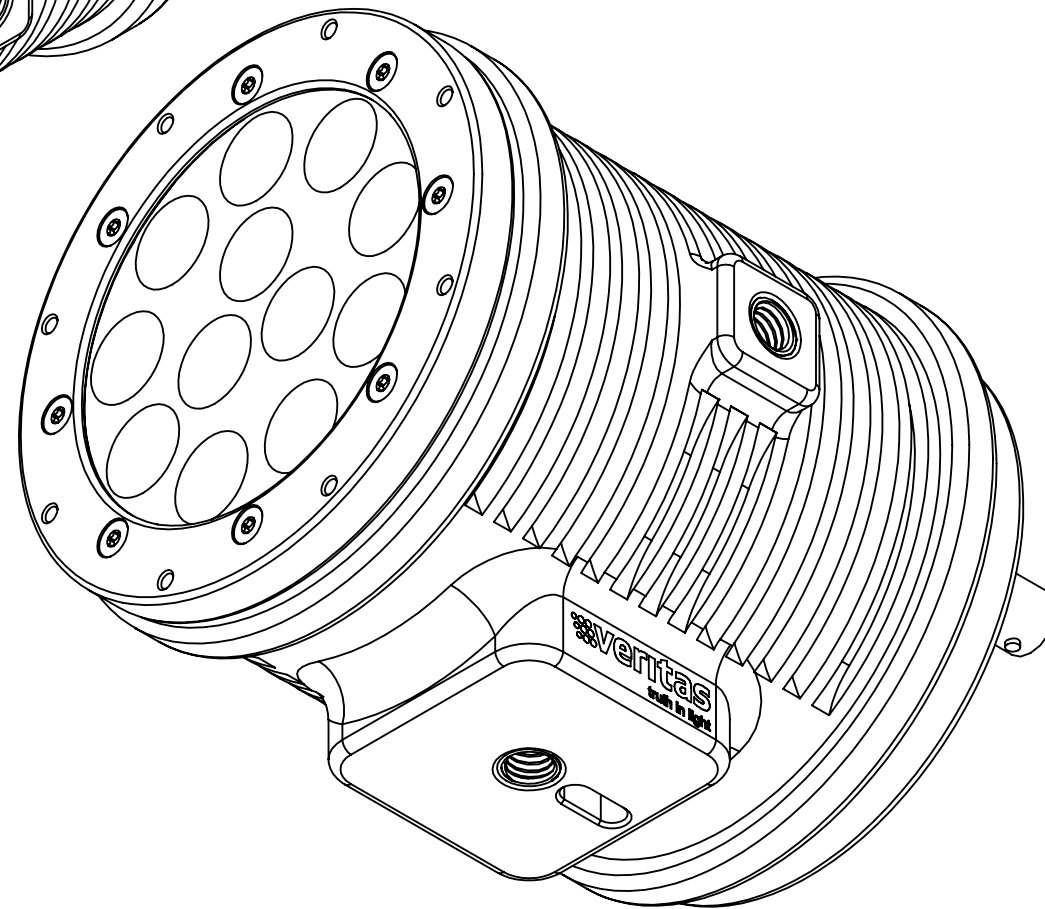
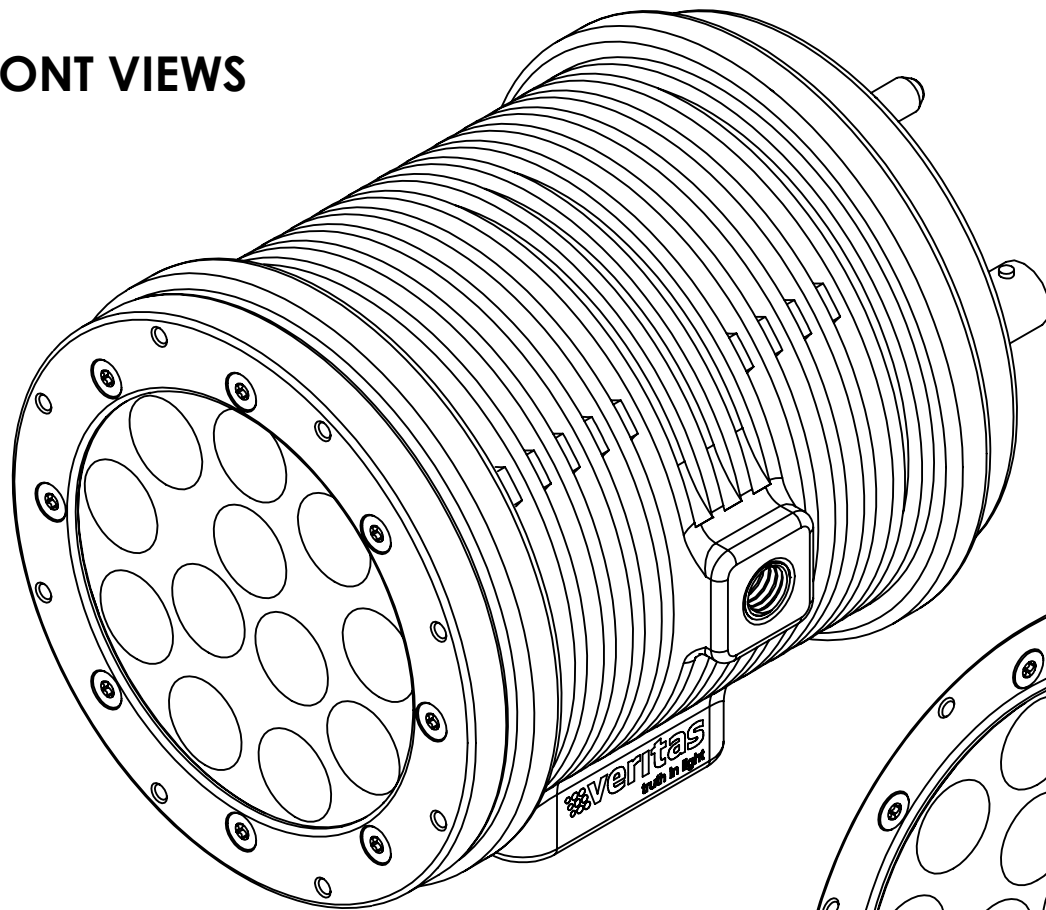
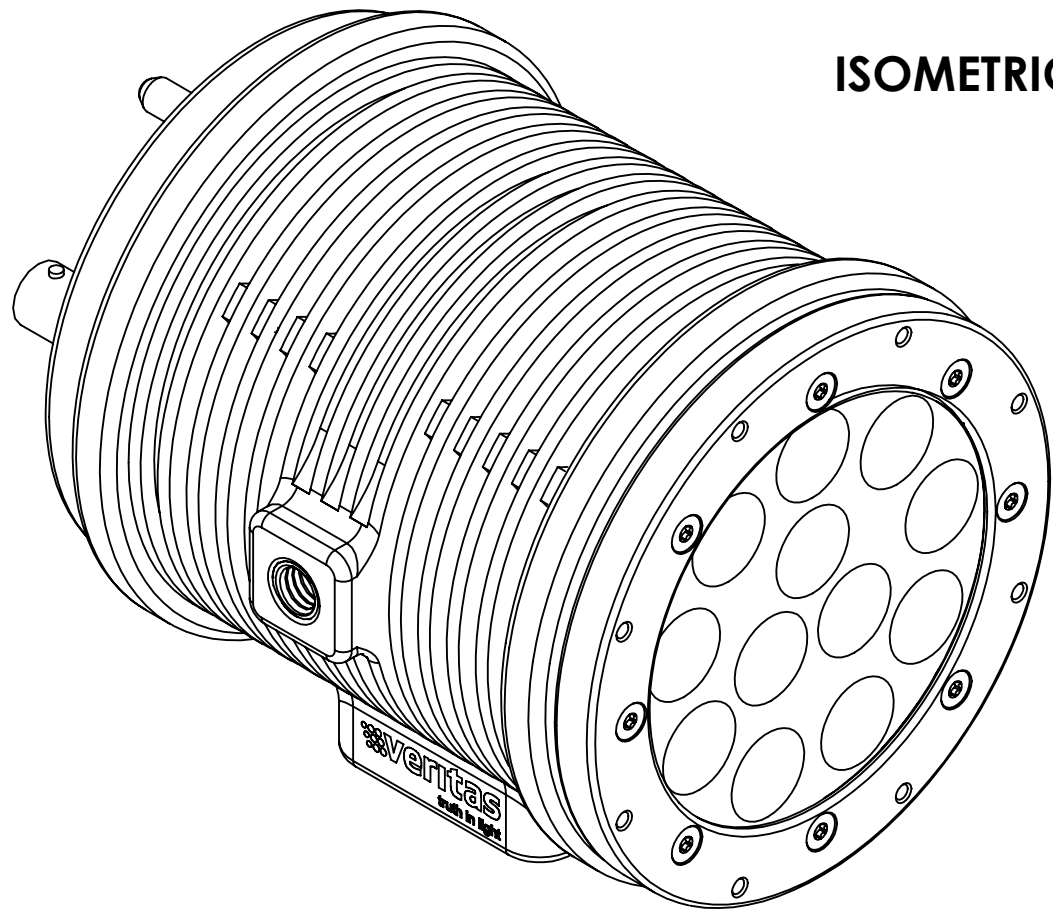


| | | | |
|---|--|---|---------------------------------|
| PROPRIETARY AND CONFIDENTIAL THE INFORMATION CONTAINED IN THIS DRAWING IS THE SOLE PROPERTY OF INTEGRATED DESIGN TOOLS, INC. ANY REPRODUCTION IN PART OR AS A WHOLE WITHOUT THE WRITTEN PERMISSION OF INTEGRATED DESIGN TOOLS, INC. IS PROHIBITED. | PROJECT NAME: CONSTELLATION 120E | INTEGRATED DESIGN TOOLS, INC 1 WEST MOUNTAIN STREET SUITE 3 PASADENA, CA 91103 | |
| | UNLESS OTHERWISE SPECIFIED: DIMENSIONS ARE IN INCHES TOLERANCES ON: FRACTIONAL DECIMAL ANGULAR ± 1/16 X ± .03 ± 1° .XX ± .01 .XXX ± .005 | TITLE: INTERFACE CONTROL DOCUMENT (ICD), CONSTELLATION-120E | |
| DO NOT SCALE DRAWING | SCALE: 1:1 | DWG. NO. 1417-0100 | DATE: 2/29/2016 SHEET 2 OF 4 |

8 7 6 5 4 3 2 1

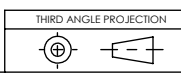
8 7 6 5 4 3 2 1

ISOMETRIC FRONT VIEWS



A
B
C
D
E

A
B
C
D
E



PROPRIETARY AND CONFIDENTIAL
THE INFORMATION CONTAINED IN THIS DRAWING IS THE SOLE PROPERTY OF INTEGRATED DESIGN TOOLS, INC. ANY REPRODUCTION IN PART OR AS A WHOLE WITHOUT THE WRITTEN PERMISSION OF INTEGRATED DESIGN TOOLS, INC. IS PROHIBITED.



PROJECT NAME:
CONSTELLATION 120E

UNLESS OTHERWISE SPECIFIED:
DIMENSIONS ARE IN INCHES
TOLERANCES ON:

| | |
|--------------------|-----------------|
| FRACTIONAL DECIMAL | ANGULAR |
| $\pm 1/16$ | $X \pm .03$ |
| | $\pm 1^\circ$ |
| | $.XX \pm .01$ |
| | $.XXX \pm .005$ |

DO NOT SCALE DRAWING

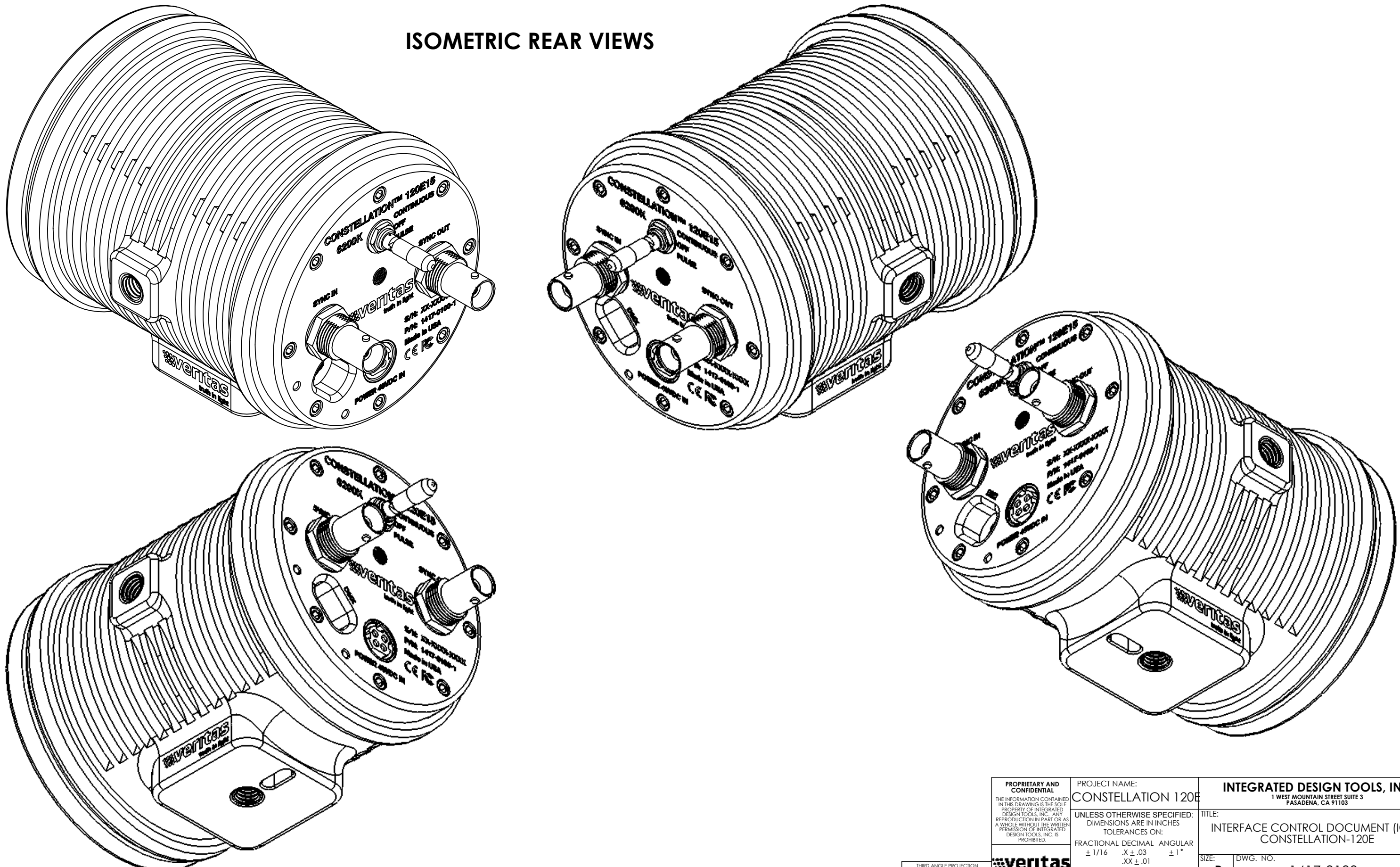
INTEGRATED DESIGN TOOLS, INC
1 WEST MOUNTAIN STREET SUITE 3
PASADENA, CA 91103

TITLE:
INTERFACE CONTROL DOCUMENT (ICD), CONSTELLATION-120E

| | | |
|-------------------|------------------------------|-----------------|
| SIZE: B | DWG. NO. 1417-0100 | REV A |
| SCALE: 1:1 | DATE: 2/29/2016 | SHEET 3 OF 4 |

8 7 6 5 4 3 2 1

ISOMETRIC REAR VIEWS



| | | | |
|---|--|--|-------------------------|
| <p>PROPRIETARY AND CONFIDENTIAL</p> <p>THE INFORMATION CONTAINED IN THIS DRAWING IS THE SOLE PROPERTY OF INTEGRATED DESIGN TOOLS, INC. ANY REPRODUCTION IN PART OR AS A WHOLE WITHOUT THE WRITTEN PERMISSION OF INTEGRATED DESIGN TOOLS, INC. IS PROHIBITED.</p> | <p>PROJECT NAME: CONSTELLATION 120E</p> | <p>INTEGRATED DESIGN TOOLS, INC 1 WEST MOUNTAIN STREET SUITE 3 PASADENA, CA 91103</p> | |
| | <p>UNLESS OTHERWISE SPECIFIED: DIMENSIONS ARE IN INCHES TOLERANCES ON: FRACTIONAL DECIMAL ANGULAR ± 1/16 .X ± .03 ± 1° .XX ± .01 .XXX ± .005</p> | <p>TITLE: INTERFACE CONTROL DOCUMENT (ICD), CONSTELLATION-120E</p> | |
| <p>veritas truth in light</p> | <p>SIZE: B</p> | <p>DWG. NO. 1417-0100</p> | <p>REV A</p> |
| <p>DO NOT SCALE DRAWING</p> | <p>SCALE: 1:1</p> | <p>DATE: 2/29/2016</p> | <p>SHEET 4 OF 4</p> |

