

INTERACE CONTROL DOCUMENT

1. WEIGHT: 13.3 oz [378 g] (WITHOUT BATTERY)
2. TO PREVENT DAMAGE TO LIGHT AND SURFACE DUE TO EXCESSIVE HEAT BUILD UP, DO NOT OPERATE LIGHT FACE DOWN ON ANY SURFACE.

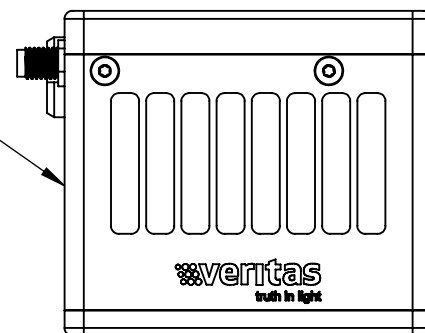
CONSTELLATION™-160B mini

160 WATT INTELLIGENT LED LUMINAIRE - 82 FWHM BEAM ANGLE
WITH BATTERY CAPABILITY

REVISIONS					
ZONE	REV.	ECO #	DESCRIPTION	DATE	APPROVED
	A	-	INITIAL RELEASE.	04/16/2018	B. MOAK

AIR EXHAUST SIDE
DO NOT OBSTRUCT

AIR INTAKE SIDE
DO NOT OBSTRUCT



LOCATIONS NOT FOR MOUNTING.
FOR BATTERY ATTACHMENT ONLY

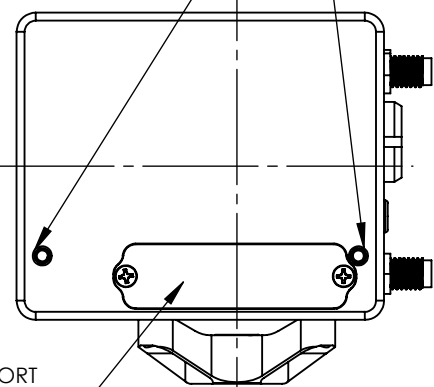
SMA: SYNC IN

LEMO 8-PIN A-KEY:
POWER 24V DC

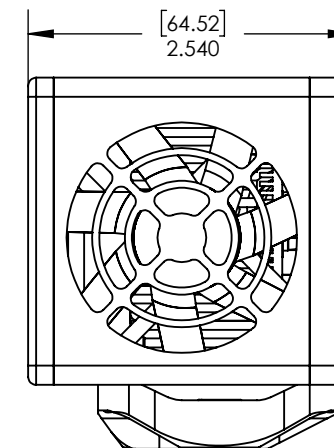
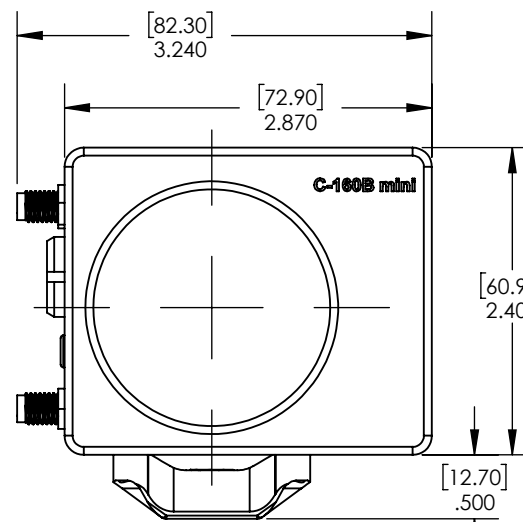
LED INDICATOR:
GREEN: CONTINUOUS
BLUE: PULSE CONTROL
RED: POWER UP/FAULT

POWER BUTTON:
TAP TO POWER ON,
TAP TO SWITCH MODES,
HOLD FOUR SECONDS AND
RELEASE FOR POWER DOWN

SMA: SYNC OUT

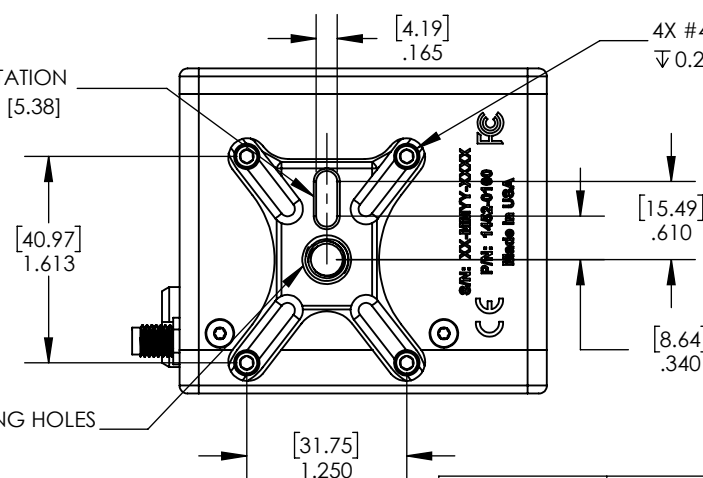


BATTERY PORT
COVER PLATE

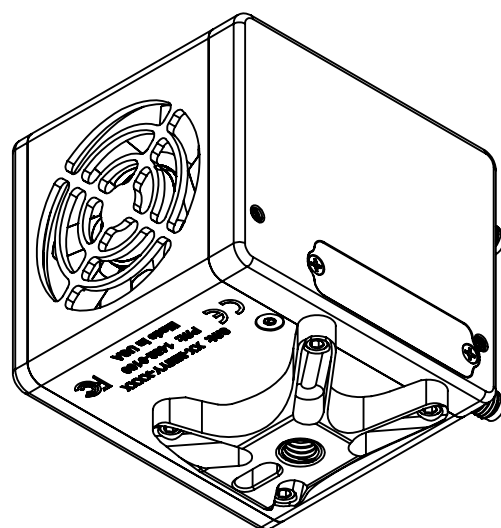
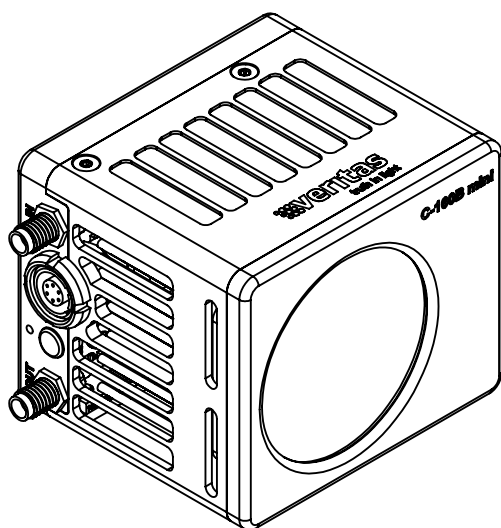


TRIPOD ANTI-ROTATION
PIN SLOT ∇ 0.250 [5.38]

4X #4-40 MOUNTING HOLES
 ∇ 0.200 [5.08]



1/4-20 MOUNTING HOLES
 ∇ 0.375 [9.53]



<p>PROPRIETARY AND CONFIDENTIAL</p> <p>THE INFORMATION CONTAINED IN THIS DRAWING IS THE SOLE PROPERTY OF INTEGRATED DESIGN TOOLS, INC. ANY REPRODUCTION IN PART OR AS A WHOLE WITHOUT THE WRITTEN PERMISSION OF INTEGRATED DESIGN TOOLS, INC. IS PROHIBITED.</p>	<p>UNLESS OTHERWISE SPECIFIED: DIMENSIONS ARE IN INCHES TOLERANCES ON:</p>	<p>PROJECT NAME: C-160B mini</p>	<p>INTEGRATED DESIGN TOOLS, INC 1 WEST MOUNTAIN STREET SUITE 3 PASADENA, CA 91103</p>
	<p>FRACTIONAL DECIMAL ANGULAR $\pm 1/16$.X $\pm .03$ $\pm 1^\circ$.XX $\pm .01$.XXX $\pm .005$</p>	<p>DATE: 4/23/2018 DRAWN: B. MOAK CHECKED: D. ATOL MECH. ENGINEER: B. MOAK ELECTRICAL ENGINEER: OPERATION MANAGER: PROGRAM MANAGER:</p>	<p>TITLE: INTERFACE CONTROL DOCUMENT (ICD) C-160B mini</p>



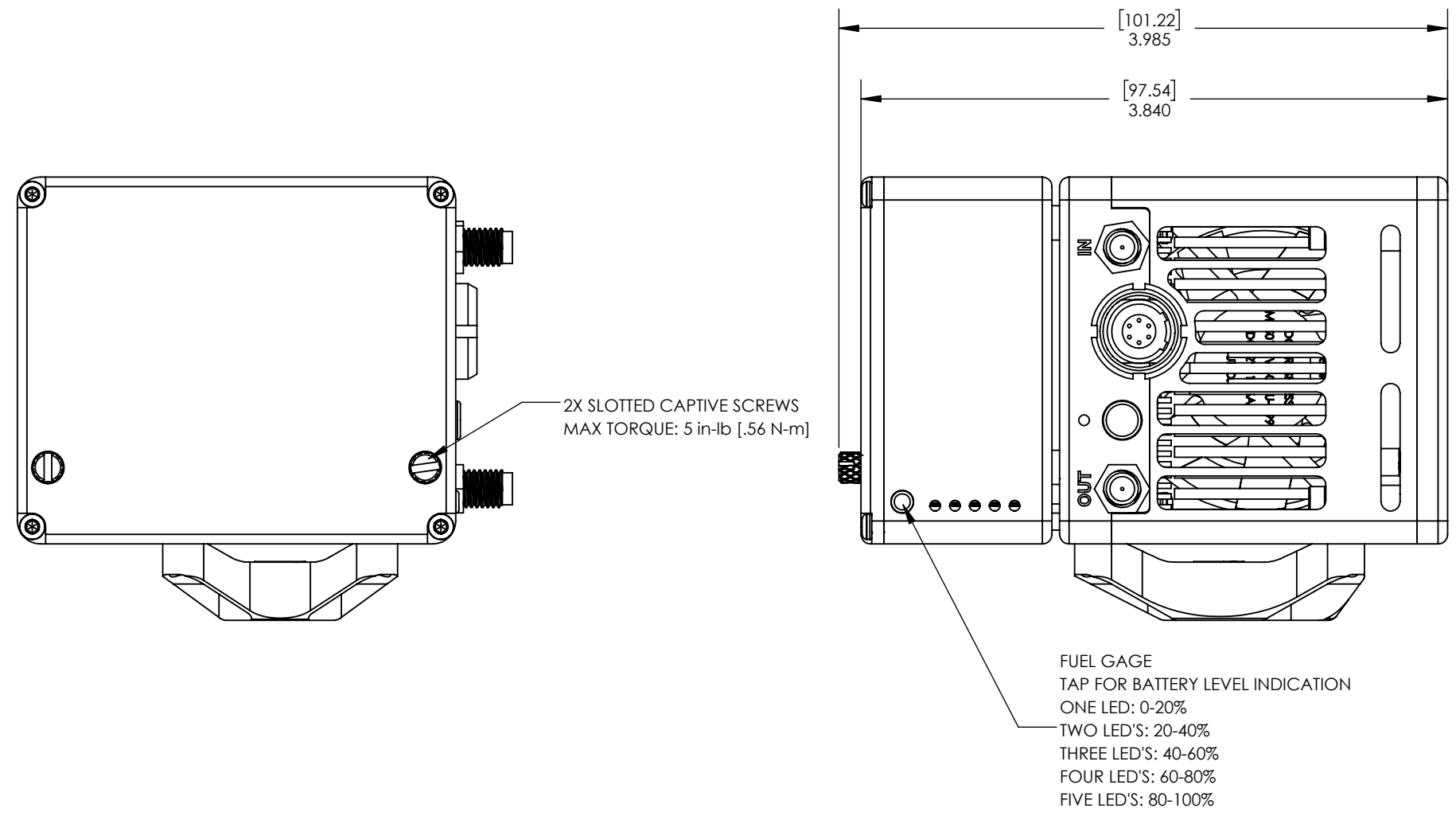
DO NOT SCALE DRAWING

8 7 6 5 4 3 2 1

BATTERY ATTACHMENT

A
B
C
D
E

A
B
C
D
E



PROPRIETARY AND CONFIDENTIAL <small>THE INFORMATION CONTAINED IN THIS DRAWING IS THE SOLE PROPERTY OF INTEGRATED DESIGN TOOLS, INC. ANY REPRODUCTION IN PART OR AS A WHOLE WITHOUT THE WRITTEN PERMISSION OF INTEGRATED DESIGN TOOLS, INC. IS PROHIBITED.</small>	PROJECT NAME: C-160B mini	INTEGRATED DESIGN TOOLS, INC <small>1 WEST MOUNTAIN STREET SUITE 3 PASADENA, CA 91103</small>		
	UNLESS OTHERWISE SPECIFIED: DIMENSIONS ARE IN INCHES TOLERANCES ON: FRACTIONAL DECIMAL ANGULAR ± 1/16 X ± .03 ± 1° .XX ± .01 .XXX ± .005	TITLE: INTERFACE CONTROL DOCUMENT (ICD), C-160B mini		
	DO NOT SCALE DRAWING	SIZE: B	DWG. NO. 1452-0100	REV A
THIRD ANGLE PROJECTION		SCALE: 1:1	DATE: 4/23/2018	SHEET 2 OF 2

8 7 6 5 4 3 2 1