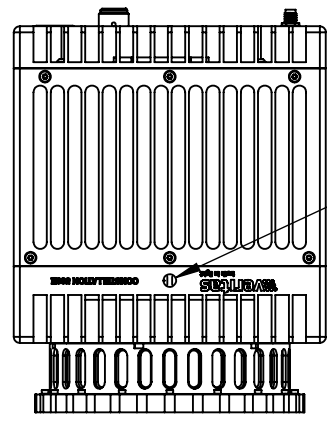


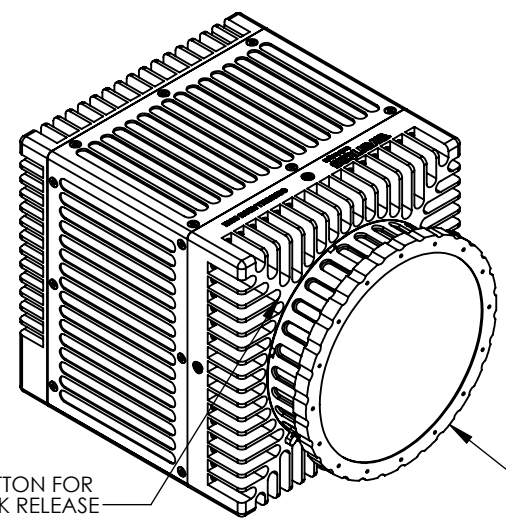
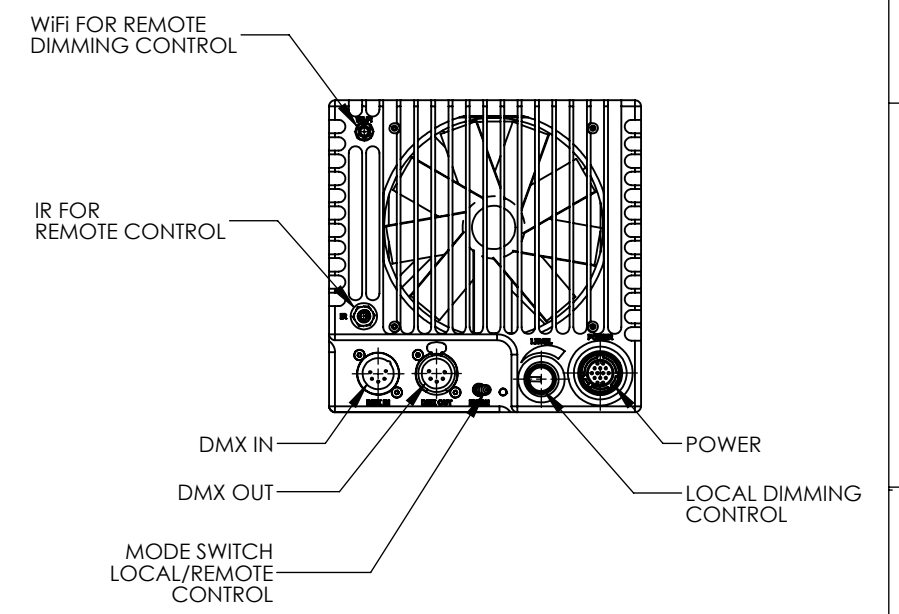
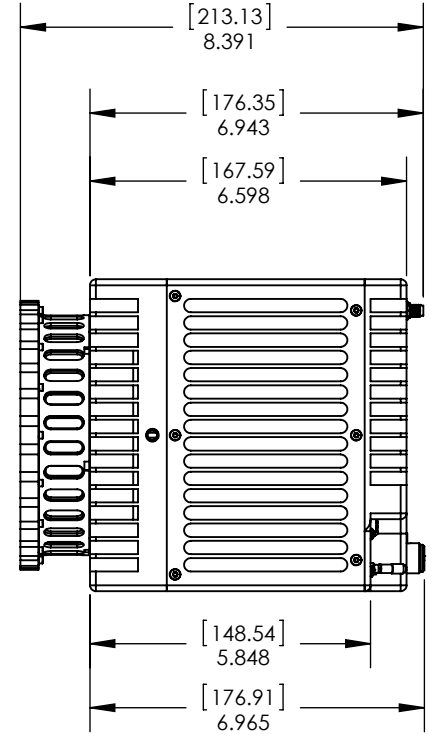
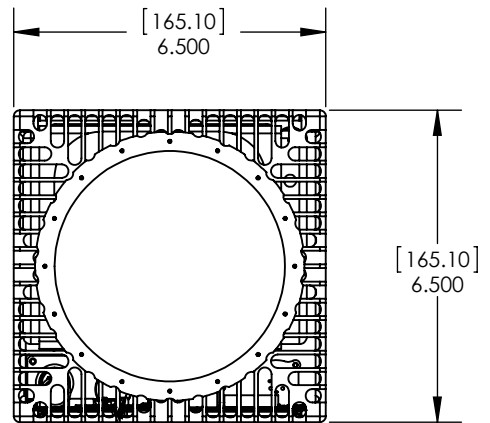
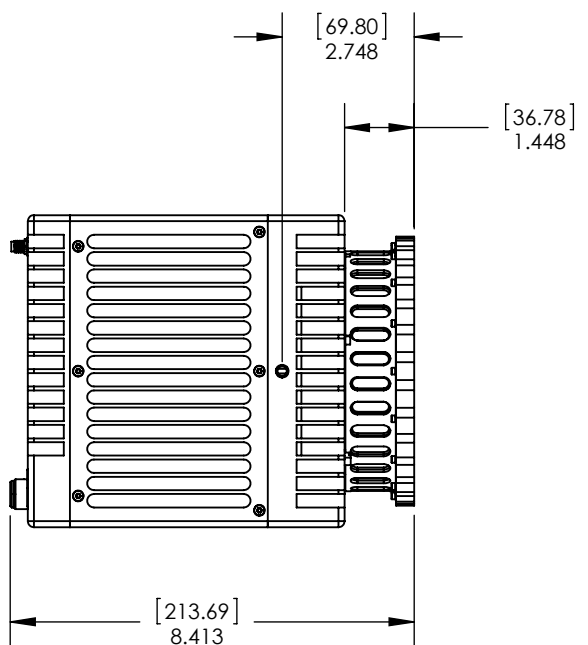
NOTES: UNLESS OTHERWISE SPECIFIED

!!CAUTION!! PRODUCT SURFACES WILL GET HOT AFTER CONTINUOUS RUN.
DO NOT HANDLE IMMEDIATELY AFTER SHUT DOWN. ALLOW FOR LIGHT HEAD TO COOL.

REVISIONS				
ZONE	REV.	DESCRIPTION	DATE	APPROVED
	A	INITIAL RELEASE	2/8/2017	B. MOAK
	B	ADDED NOTE FOR MODE SWITCH	2/8/2017	B. MOAK



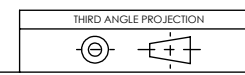
4X ACCEPTS 1/4-20 SCREWS



RELEASE BUTTON FOR QUICK RELEASE INTERCHANGABLE REFLECTOR(S)

QUICK RELEASE INTERCHANGABLE REFLECTOR(S)

18 DEGREE REFLECTOR ASSEMBLY



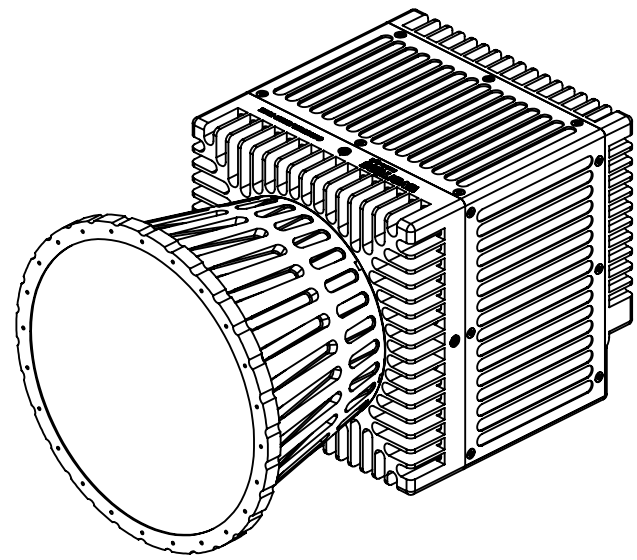
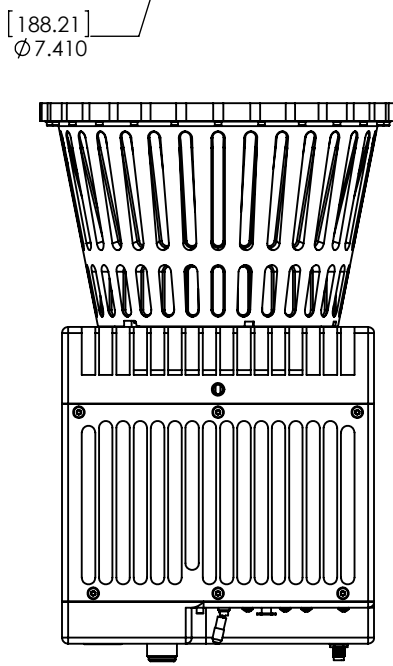
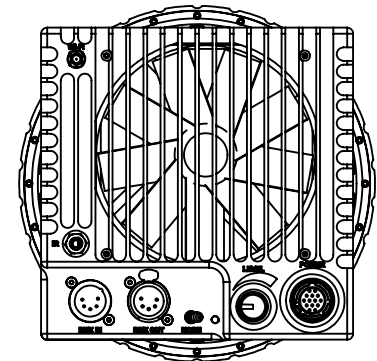
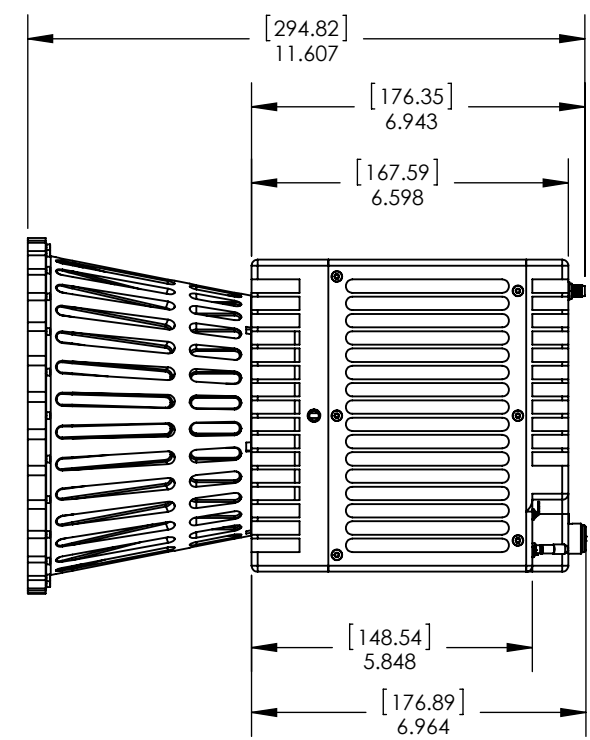
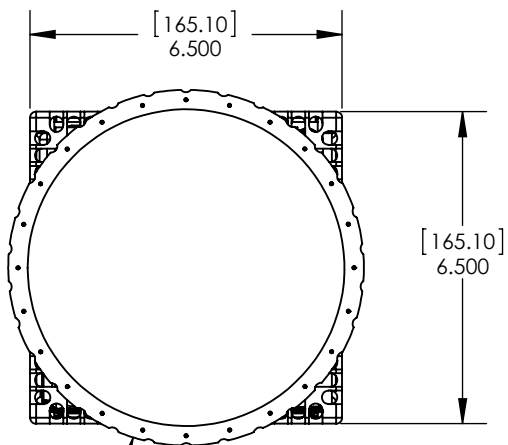
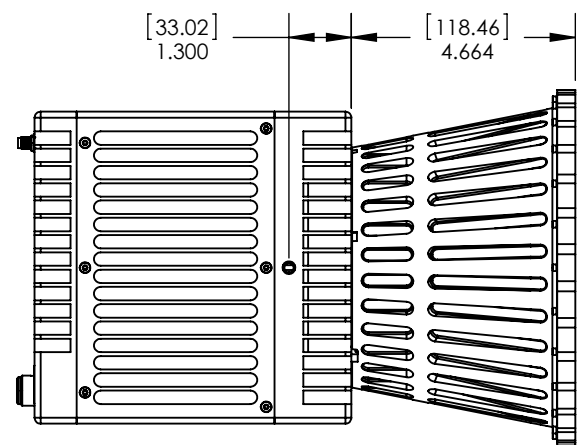
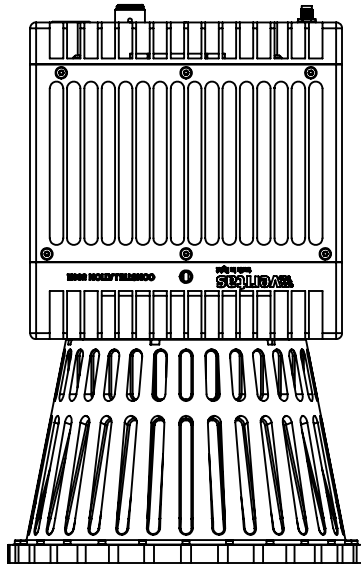
PROPRIETARY AND CONFIDENTIAL THE INFORMATION CONTAINED IN THIS DRAWING IS THE SOLE PROPERTY OF INTEGRATED DESIGN TOOLS, INC. ANY REPRODUCTION IN PART OR AS A WHOLE WITHOUT THE WRITTEN PERMISSION OF INTEGRATED DESIGN TOOLS, INC. IS PROHIBITED.	PROJECT NAME: CONSTELLATION 500E	INTEGRATED DESIGN TOOLS, INC. 1 WEST MOUNTAIN STREET SUITE 3 PASADENA, CA 91103
	UNLESS OTHERWISE SPECIFIED: DIMENSIONS ARE IN INCHES TOLERANCES ON: FRACTIONAL DECIMAL ANGULAR ± 1/16 .X ± .03 ± 1° .XX ± .01 .XXX ± .005	DRAWN: NERVO PINOS 11/02/2016 CHECKED: B. MOAK 11/02/2016 MECH. ENGINEER: A. ANDRIUKOV 08/08/2016 ELECTRICAL ENGINEER: OPERATION MANAGER: PROGRAM MANAGER:
DO NOT SCALE DRAWING		REV B

8 7 6 5 4 3 2 1

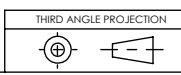
A
B
C
D
E

A
B
C
D
E

24 DEGREE REFLECTOR ASSEMBLY



[188.21]
Ø 7.410



PROPRIETARY AND CONFIDENTIAL <small>THE INFORMATION CONTAINED IN THIS DRAWING IS THE SOLE PROPERTY OF INTEGRATED DESIGN TOOLS, INC. ANY REPRODUCTION IN PART OR AS A WHOLE WITHOUT THE WRITTEN PERMISSION OF INTEGRATED DESIGN TOOLS, INC. IS PROHIBITED.</small>	PROJECT NAME: CONSTELLATION 500E	INTEGRATED DESIGN TOOLS, INC <small>1 WEST MOUNTAIN STREET SUITE 3 PASADENA, CA 91103</small>
	UNLESS OTHERWISE SPECIFIED: DIMENSIONS ARE IN INCHES TOLERANCES ON: FRACTIONAL DECIMAL ANGULAR ± 1/16 X ± .03 ± 1° .XX ± .01 .XXX ± .005	TITLE: INTERFACE CONTROL DOCUMENT, CONSTELLATION 500E, ASSEMBLY
DO NOT SCALE DRAWING	SIZE: B	DWG. NO. 1433-0100
	SCALE: 1:2	DATE: 1/25/2018
		SHEET 2 OF 2

8 7 6 5 4 3 2 1