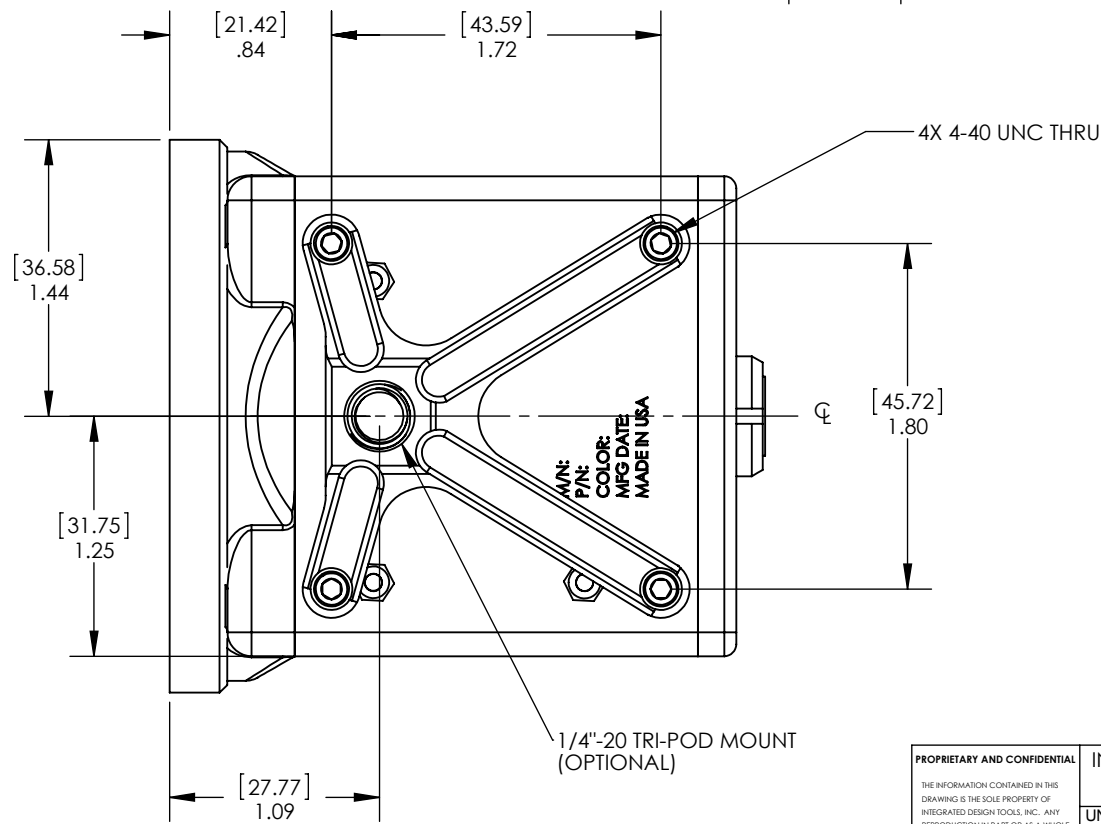
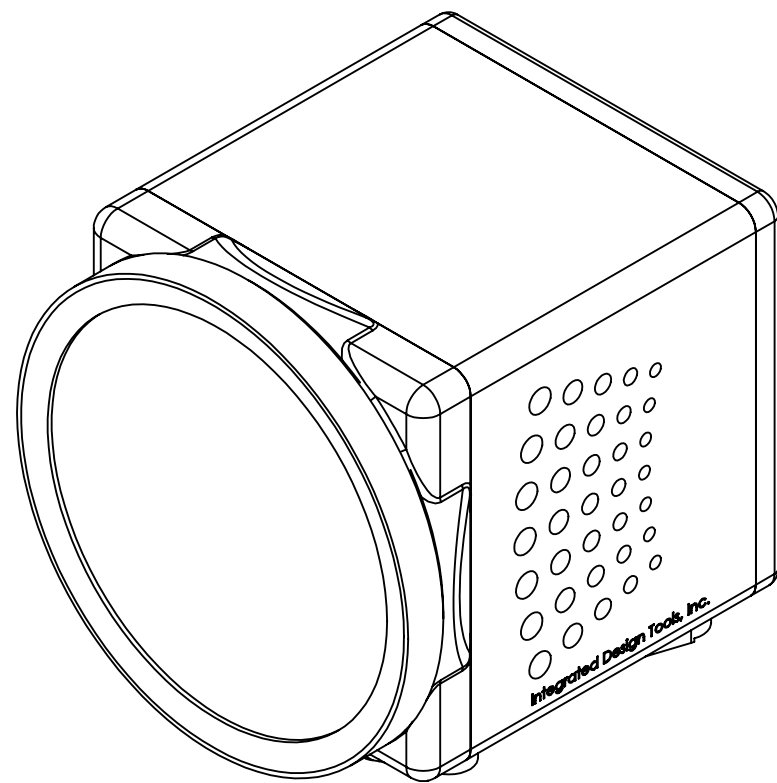
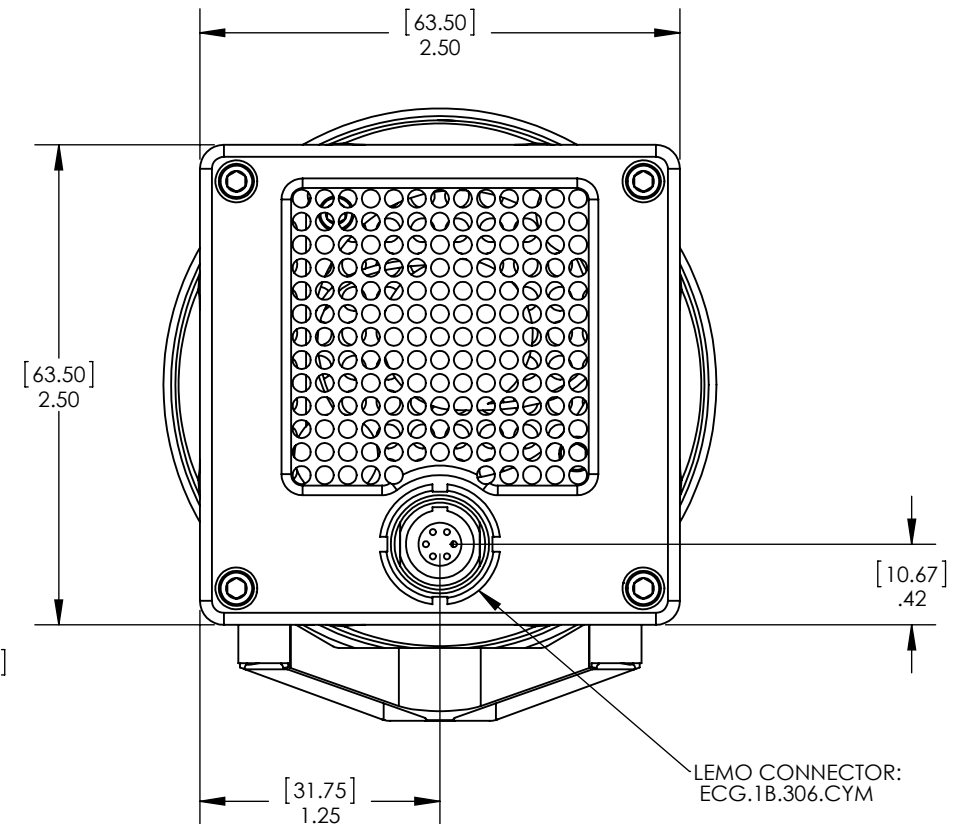
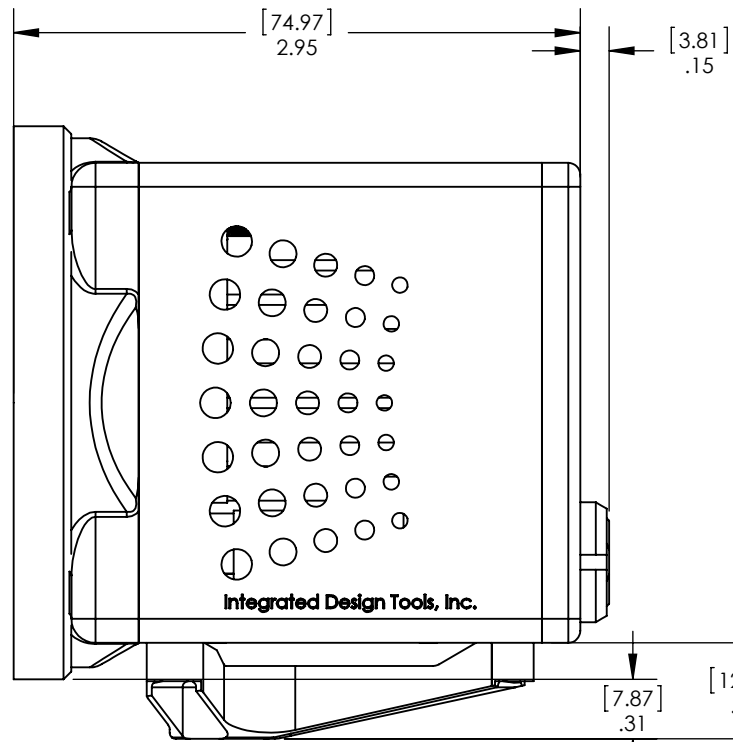
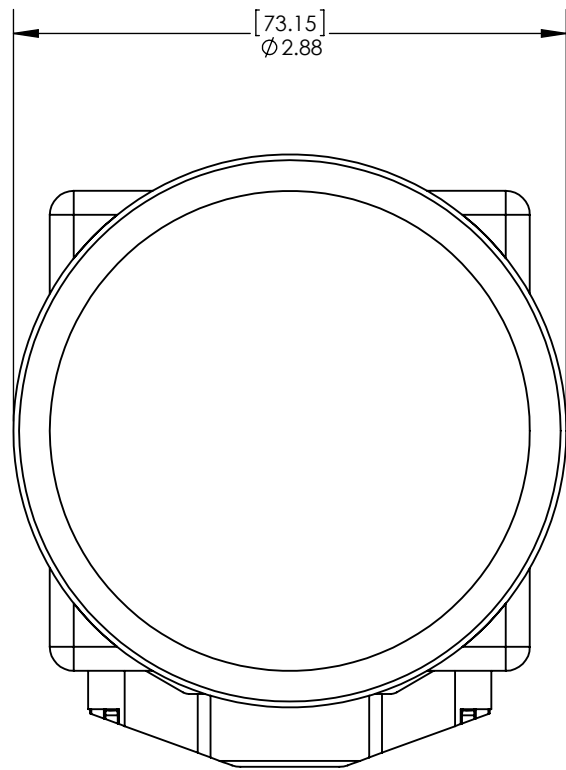


INTERFACE CONTROL DOCUMENT

REVISIONS				
ZONE	REV.	DESCRIPTION	DATE	APPROVED
	A	INITIAL RELEASE	10/10/2012	B. MOAK



THIRD ANGLE PROJECTION	NEXT ASSY	USED ON
	APPLICATION	

<p>PROPRIETARY AND CONFIDENTIAL</p> <p>THE INFORMATION CONTAINED IN THIS DRAWING IS THE SOLE PROPERTY OF INTEGRATED DESIGN TOOLS, INC. ANY REPRODUCTION IN PART OR AS A WHOLE WITHOUT THE WRITTEN PERMISSION OF INTEGRATED DESIGN TOOLS, INC. IS PROHIBITED.</p>	<p>INTERPRET THIS DRAWING PER ASME Y14.5M-1994</p> <p>UNLESS OTHERWISE SPECIFIED: DIMENSIONS ARE IN INCHES</p> <p>TOLERANCES ON:</p> <p>FRACTIONAL DECIMAL ANGULAR</p> <p>± 1/16 .X ± .1 ± 1°</p> <p>.XX ± .03</p> <p>.XXX ± .010</p> <p>DO NOT SCALE DRAWING</p>	<p>PROJECT NAME: NX-TRA SYSTEM</p> <p>DATE: 10/10/2012</p> <p>DRAWN BY: BRYAN MOAK</p> <p>CHECKED BY: BRYANT SHUMAKER</p> <p>DESIGNED BY: BRYAN MOAK</p> <p>ELECTRICAL ENGINEER: SORINI C. CROICU</p> <p>OPERATION MANAGER: LUIZ LOURENCO</p>	<p>INTEGRATED DESIGN TOOLS, INC</p> <p>1 WEST MOUNTAIN STREET SUITE 3 PASADENA, CA 91103</p> <p>TITLE: CONSTELLATION 60 LED, ICD</p> <p>SIZE: B</p> <p>DWG. NO. 1088-2000 ICD</p> <p>SCALE: 1:1</p>
	<p>DATE: 10/10/2012</p> <p>DATE: 10/10/2012</p> <p>DATE: 10/10/2012</p> <p>DATE: 10/10/2012</p>	<p>REV A</p> <p>DATE: 10/31/2012</p> <p>SHEET 1 OF 1</p>	