

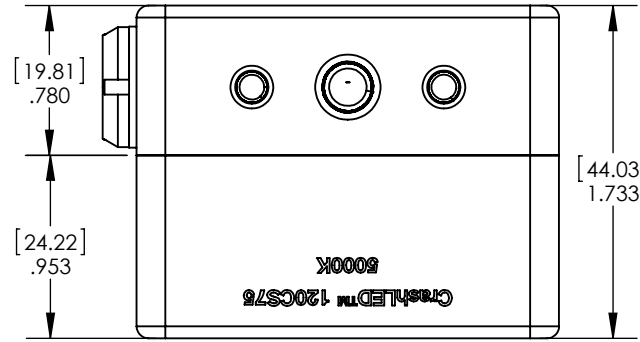
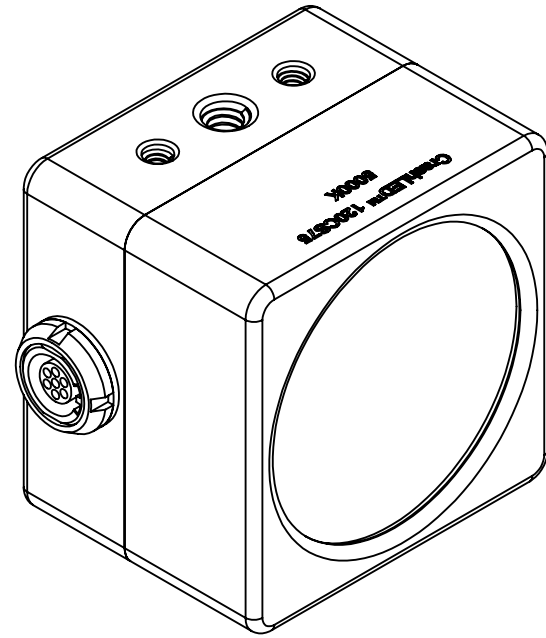
INTERFACE CONTROL DOCUMENT

1. MASS PROPERTIES: MASS = 0.625 LBS; 10 OZ; 284 GRAMS
 CENTER OF MASS: (INCHES) X=X.X, Y=X.X, Z=X.X

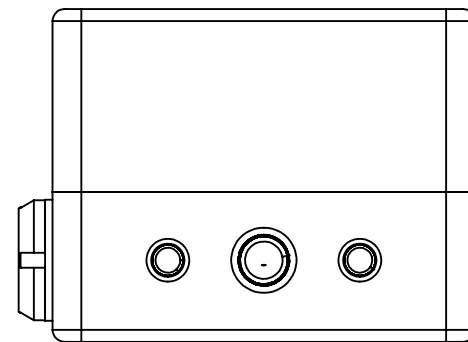
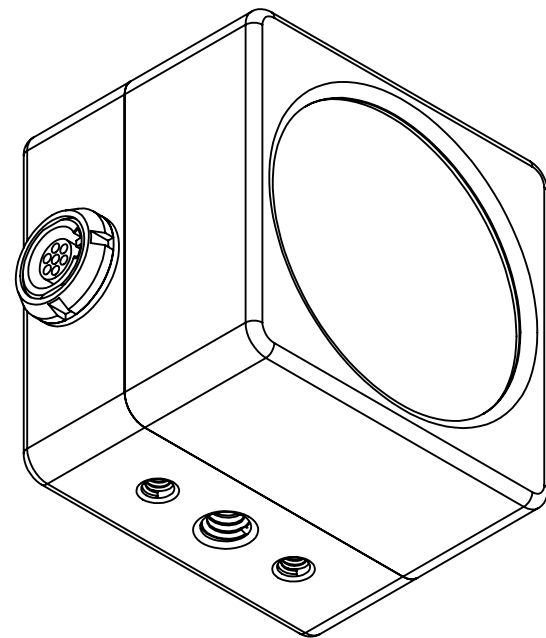
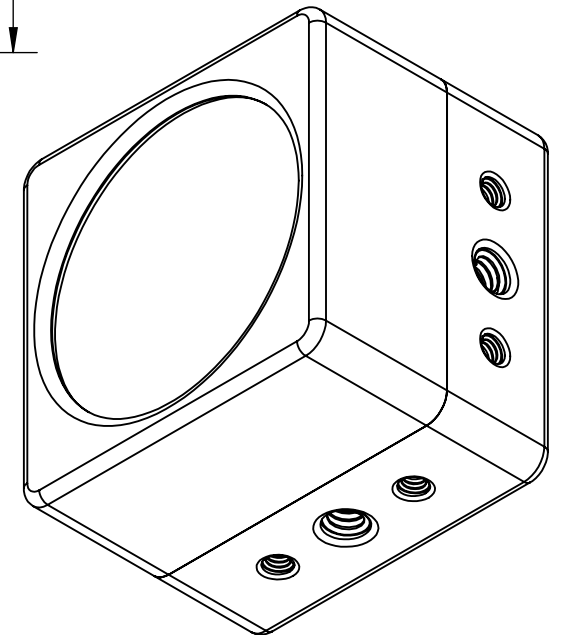
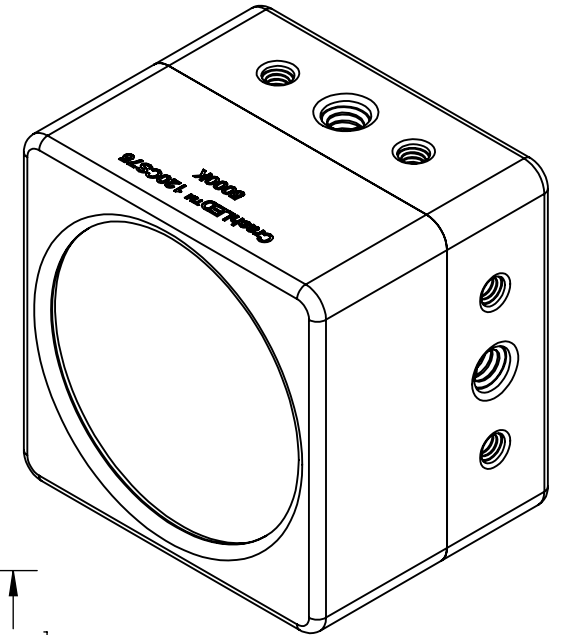
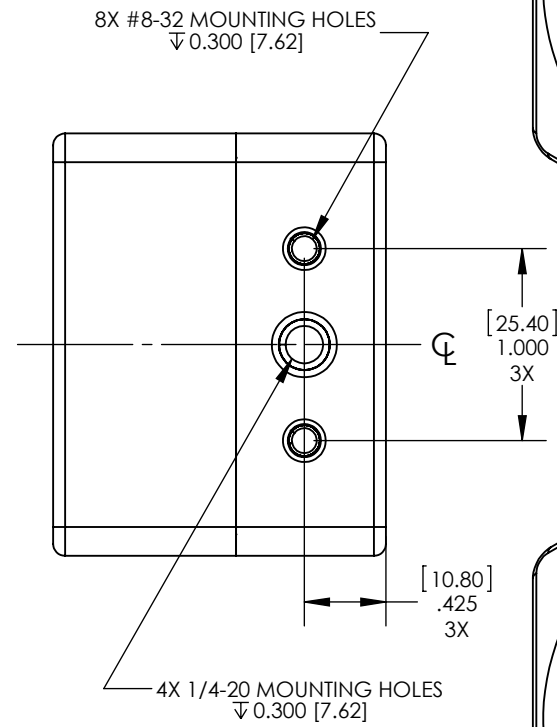
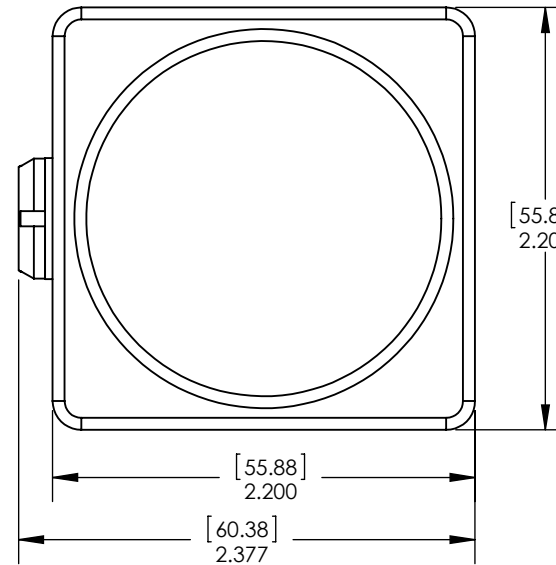
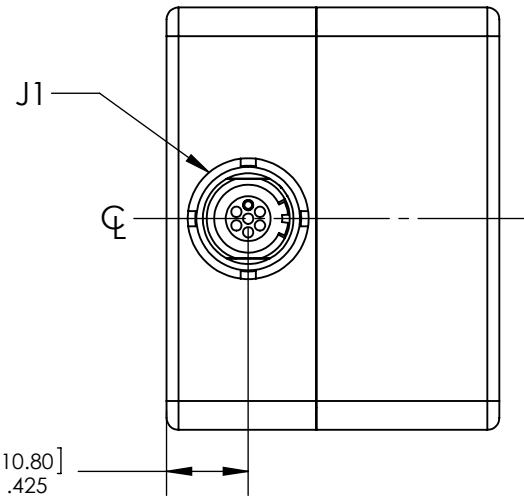
2. CONNECTORS:

J1: CHANNEL SIGNAL/POWER
 RECEPTACLE 7-PIN, SIZE 1, B-SERIES LEMO,
 ALTERNATE KEY: A
 LEMO P/N: ECA.1B.307.CYM
 MATING PLUG: FGA.1B.307.CYM OR SIMILAR
 STRAIGHT LEMO PLUG

REVISIONS					
ZONE	REV.	ECO #	DESCRIPTION	DATE	APPROVED
	A	ECO-14-006	INITIAL RELEASE FOR PRODUCTION.	04/16/2014	S. PARIS



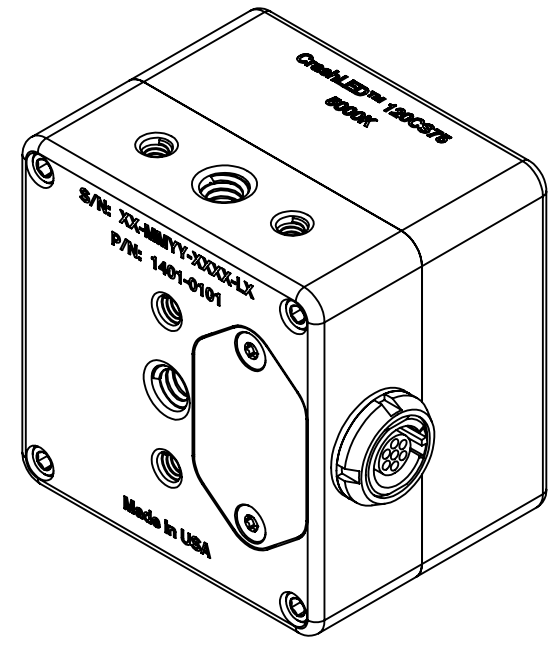
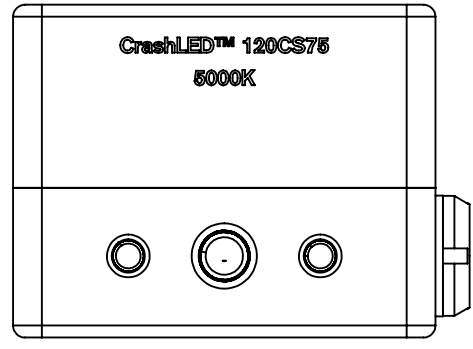
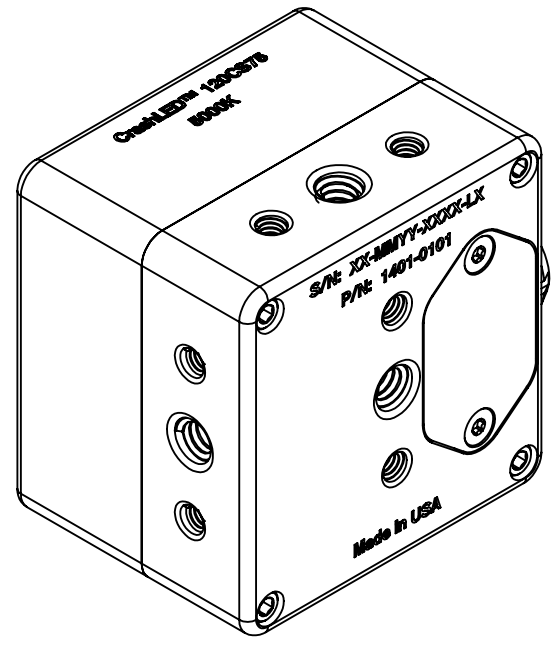
FRONT VIEW



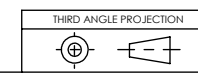
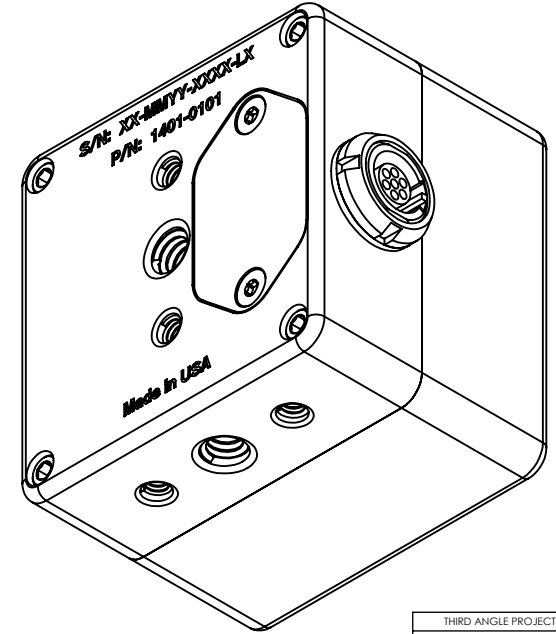
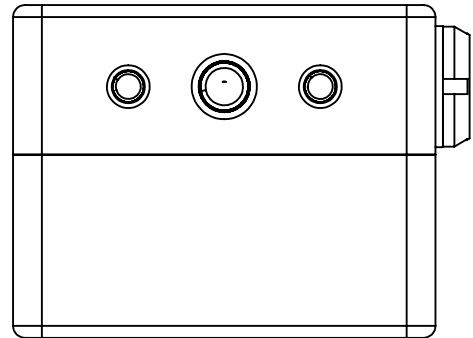
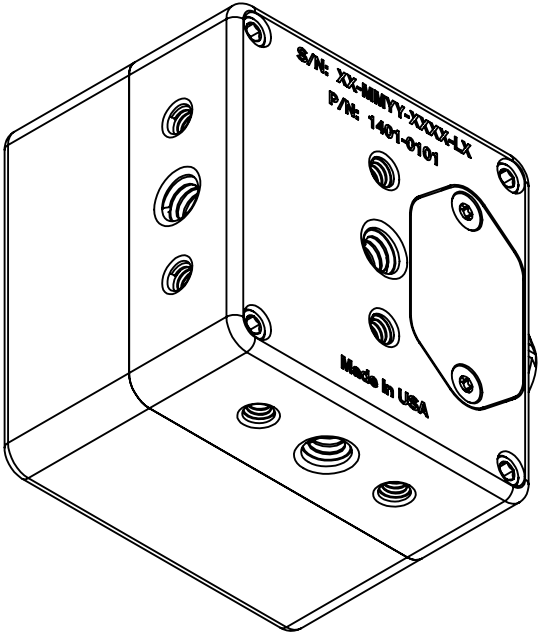
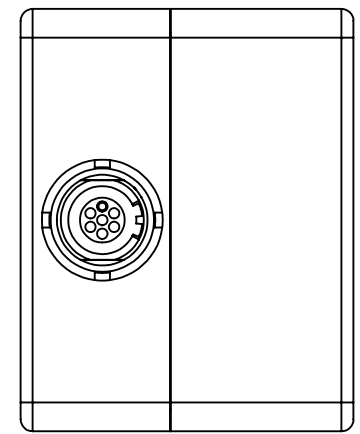
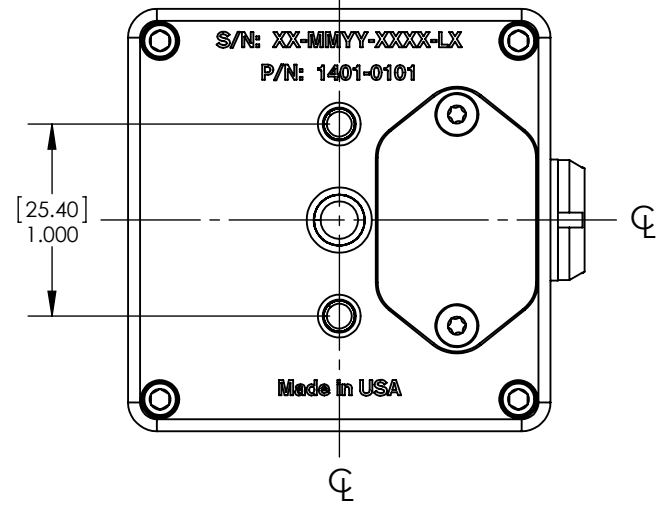
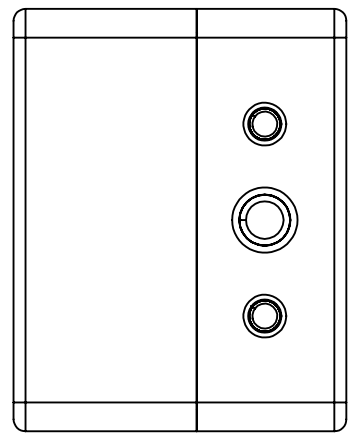
PROPRIETARY AND CONFIDENTIAL <small>THE INFORMATION CONTAINED IN THIS DRAWING IS THE SOLE PROPERTY OF INTEGRATED DESIGN TOOLS, INC. ANY REPRODUCTION IN PART OR AS A WHOLE WITHOUT THE WRITTEN PERMISSION OF INTEGRATED DESIGN TOOLS, INC. IS PROHIBITED.</small>	MATERIAL:	FINISH:	PROJECT NAME:	INTEGRATED DESIGN TOOLS, INC <small>1 WEST MOUNTAIN STREET SUITE 3 PASADENA, CA 91103</small>
	UNLESS OTHERWISE SPECIFIED: DIMENSIONS ARE IN INCHES TOLERANCES ON:		CrashLED-120	
	FRACTIONAL DECIMAL ANGULAR		DATE: 04/16/2014	
	± 1/16 .X ± .03 ± 1°		04/16/2014	
			DESIGNED BY: S. PARIS	TITLE:
			CHECKED BY: B. MOAK	INTERFACE CONTROL DOCUMENT (ICD), CrashLED-120 82
			MECH. ENGINEER: S. PARIS	DATE: 04/16/2014
			ELECTRICAL ENGINEER:	SIZE: B
			OPERATION MANAGER:	DWG. NO. 1401-0100
			PROGRAM MANAGER:	REV A
				SCALE: 1:1
				DATE: 2/26/2016
				SHEET 1 OF 2



DO NOT SCALE DRAWING



REAR VIEW



<p>PROPRIETARY AND CONFIDENTIAL</p> <p>THE INFORMATION CONTAINED IN THIS DRAWING IS THE SOLE PROPERTY OF INTEGRATED DESIGN TOOLS, INC. ANY REPRODUCTION IN PART OR AS A WHOLE WITHOUT THE WRITTEN PERMISSION OF INTEGRATED DESIGN TOOLS, INC. IS PROHIBITED.</p> <p>veritas truth in light</p>	<p>PROJECT NAME: CrashLED-120</p>	<p>INTEGRATED DESIGN TOOLS, INC 1 WEST MOUNTAIN STREET SUITE 3 PASADENA, CA 91103</p>
	<p>UNLESS OTHERWISE SPECIFIED: DIMENSIONS ARE IN INCHES TOLERANCES ON:</p> <p>FRACTIONAL DECIMAL ANGULAR ± 1/16 X ± .03 ± 1° .XX ± .01 .XXX ± .005</p>	<p>TITLE: INTERFACE CONTROL DOCUMENT (ICD), CrashLED-120 82</p>
<p>DO NOT SCALE DRAWING</p>	<p>SCALE: 1:1</p>	<p>DATE: 2/26/2016</p>