

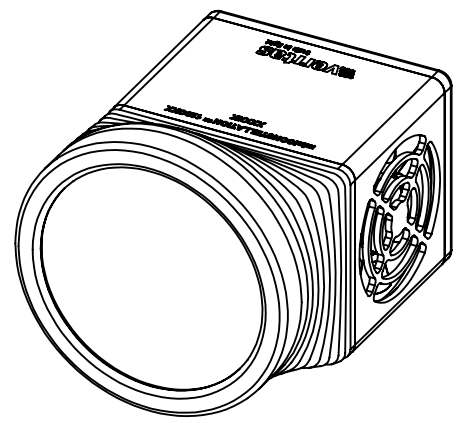
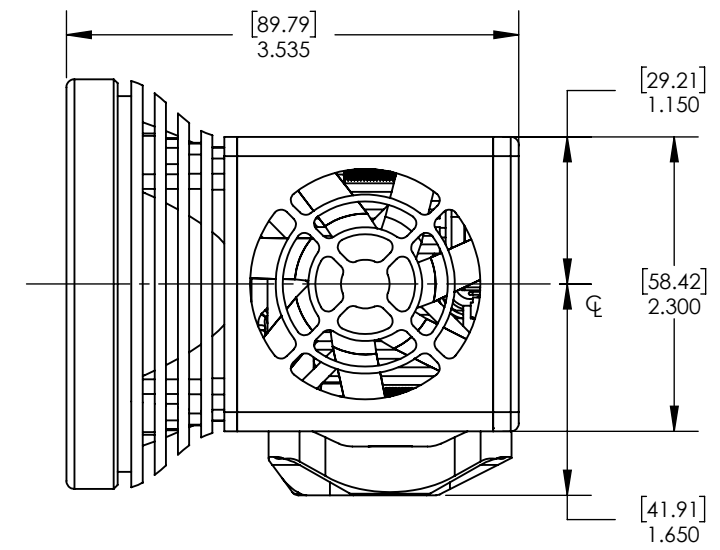
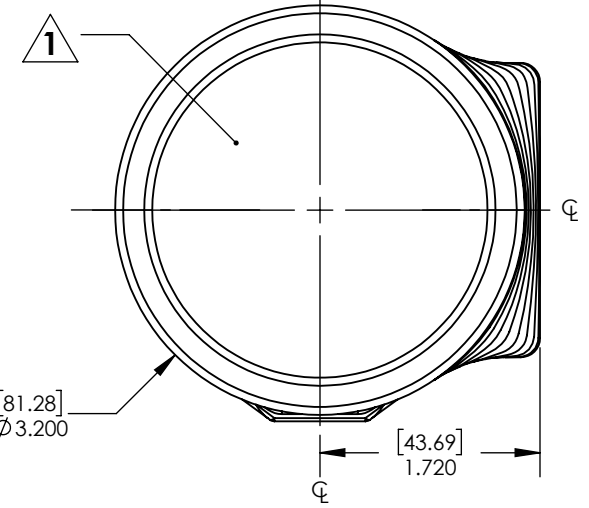
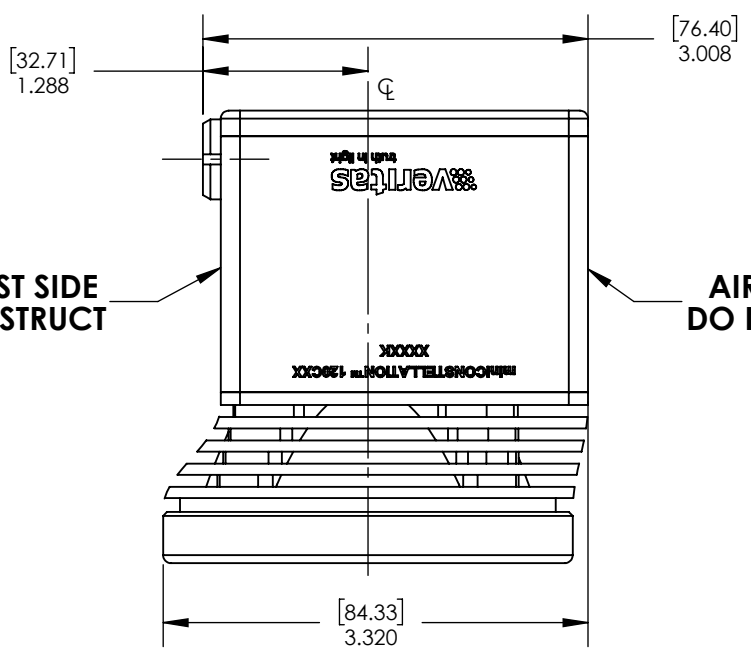
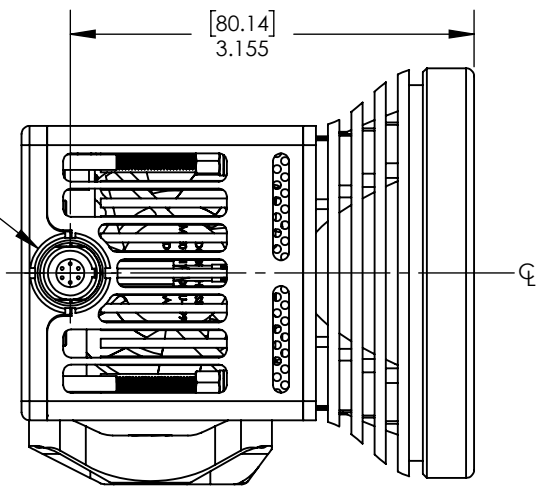
INTERFACE CONTROL DOCUMENT

⚠ TO PREVENT DAMAGE TO LIGHT AND SURFACE DUE TO EXCESSIVE HEAT BUILD UP, DO NOT OPERATE LIGHT FACE DOWN ON ANY SURFACE.

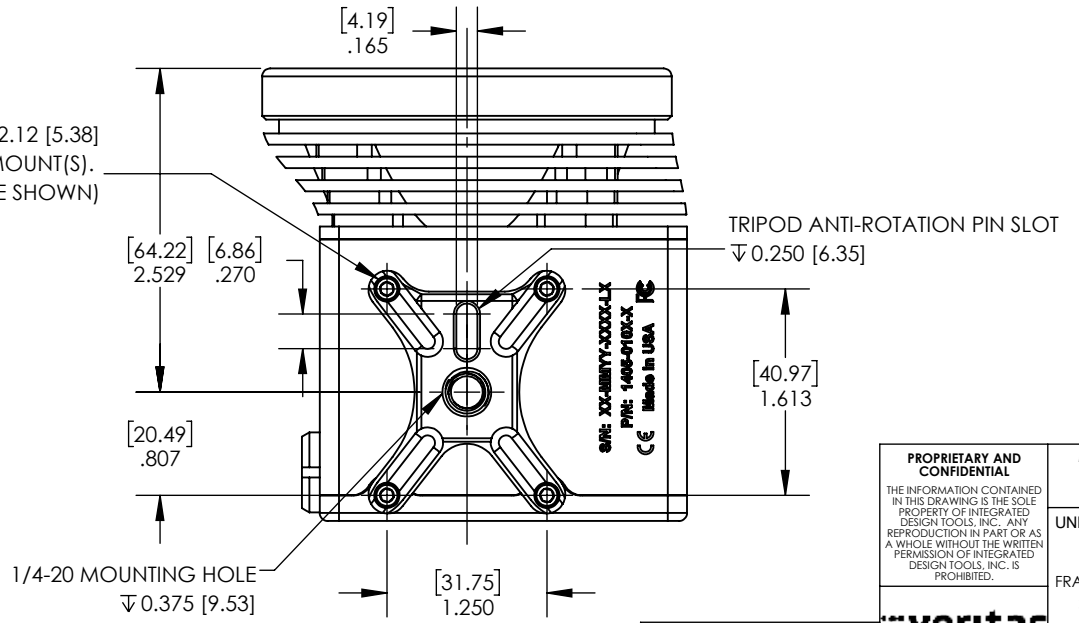
REVISIONS					
ZONE	REV.	ECO #	DESCRIPTION	DATE	APPROVED
	A	ECO-14-011	INITIAL RELEASE.	01/11/2015	S. PARIS
	B	ECO-0313	UPDATED DRAWING AND NOTES. UPDATED ISOMETRIC VIEWS. ADDED VIEWS FOR REAR INSTALLED VERITAS TRIPOD MOUNT. REMOVED P/N LIST. REMOVED SHEET 4.	10/17/2018	C. VIDAMO

AIR EXHAUST SIDE
DO NOT OBSTRUCT

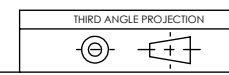
AIR INTAKE SIDE
DO NOT OBSTRUCT



4X #4-40 MOUNTING HOLES, ∇ 2.12 [5.38]
ACCEPTS VERITAS miniC TRIPOD MOUNT(S).
(MOUNT INSTALLED ON BASE SHOWN)



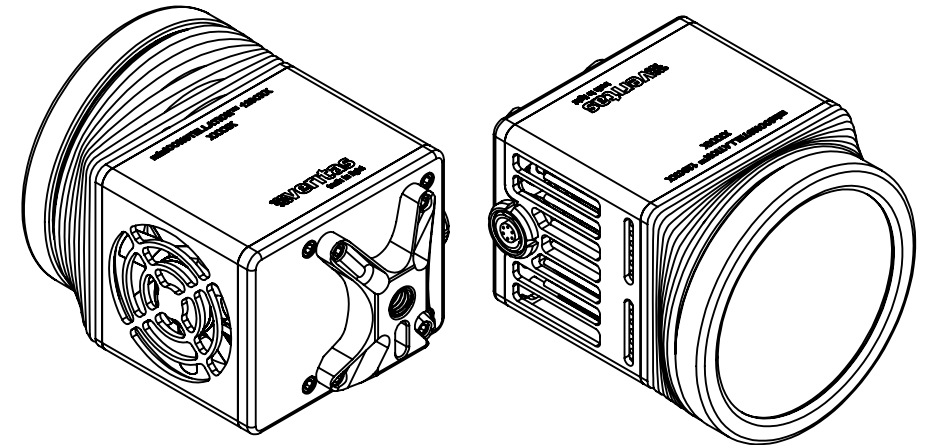
miniCONSTITUTION™ 120
120WATT INTELLIGENT LED LUMINAIRE WITH
28°, 48°, AND 74° FWHM BEAM ANGLE



PROPRIETARY AND CONFIDENTIAL <small>THE INFORMATION CONTAINED IN THIS DRAWING IS THE SOLE PROPERTY OF INTEGRATED DESIGN TOOLS, INC. ANY REPRODUCTION IN PART OR AS A WHOLE WITHOUT THE WRITTEN PERMISSION OF INTEGRATED DESIGN TOOLS, INC. IS PROHIBITED.</small>	MATERIAL:	FINISH:	PROJECT NAME: miniC-120	INTEGRATED DESIGN TOOLS, INC <small>1 WEST MOUNTAIN STREET SUITE 3 PASADENA, CA 91103</small>
	<small>UNLESS OTHERWISE SPECIFIED: DIMENSIONS ARE IN INCHES TOLERANCES ON: FRACTIONAL DECIMAL ANGULAR</small>			
	$\pm 1/16$.X \pm .03	$\pm 1^\circ$	<small>DATE:</small> 10/17/2018 <small>DATE:</small> 11/05/2018 <small>DATE:</small> 10/17/2018
	DO NOT SCALE DRAWING	.XX \pm .01	.XXX \pm .005	TITLE: INTERFACE CONTROL DOCUMENT (ICD), miniCONSTITUTION-120
				SIZE: B DWG. NO. 1405-0101 SCALE: 1:1 DATE: 11/6/2018 SHEET 1 OF 3

8 7 6 5 4 3 2 1

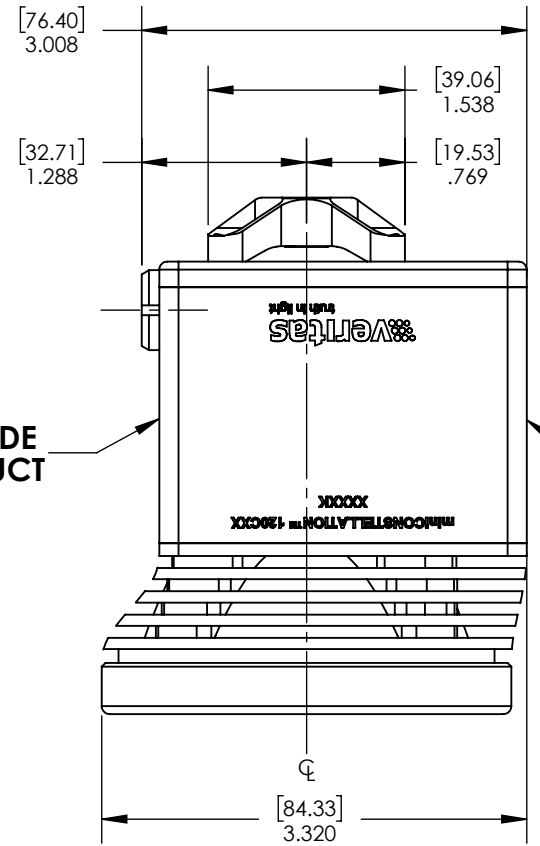
miniCONSTELLATION™ 120
120WATT INTELLIGENT LED LUMINAIRE WITH
28°, 48°, AND 74° FWHM BEAM ANGLE



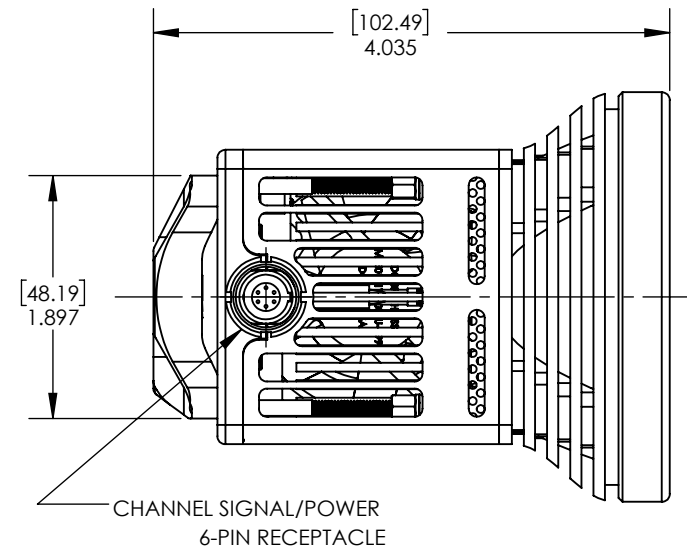
REAR TRIPOD MOUNT CONFIGURATION

AIR EXHAUST SIDE DO NOT OBSTRUCT

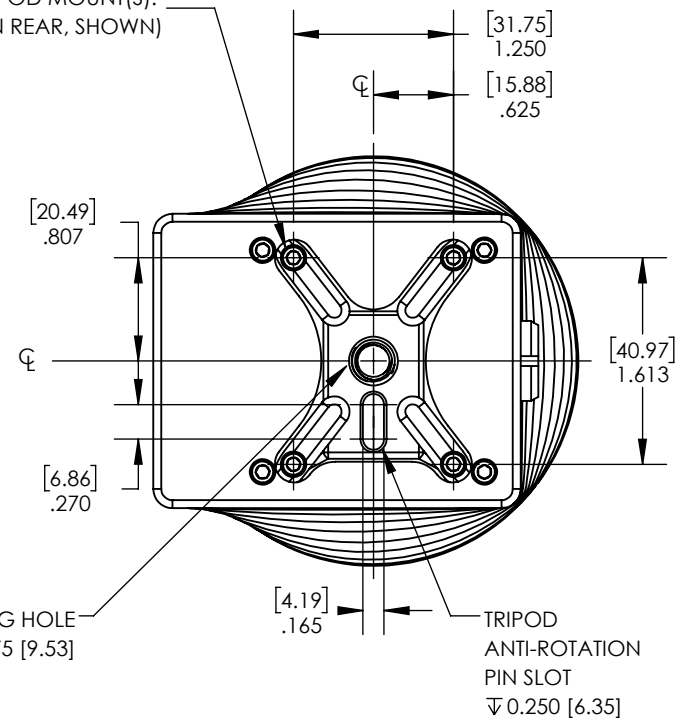
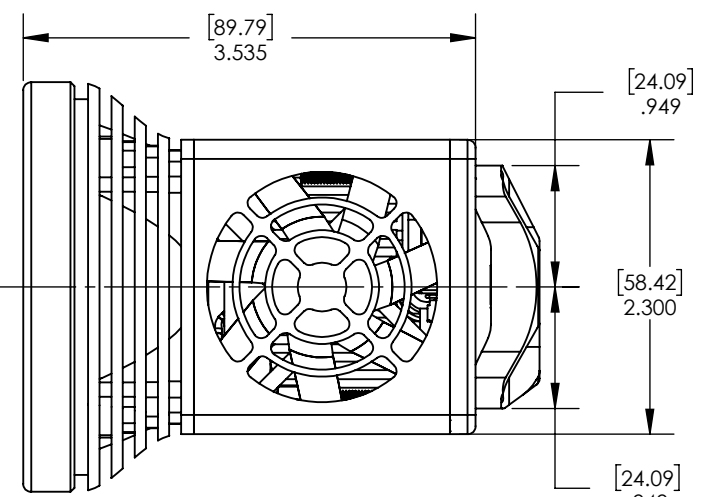
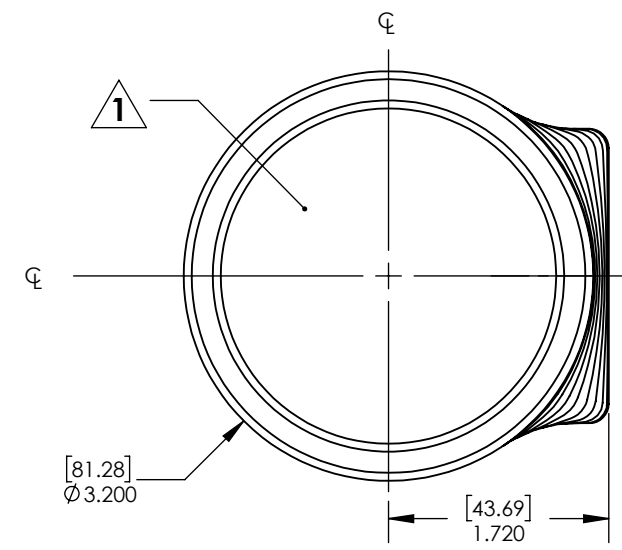
AIR INTAKE SIDE DO NOT OBSTRUCT



4X #4-40 MOUNTING HOLES, ∇ 2.12 [5.38]
 ACCEPTS VERITAS miniC TRIPOD MOUNT(S).
 (MOUNT INSTALLED ON REAR, SHOWN)



CHANNEL SIGNAL/POWER
6-PIN RECEPTACLE



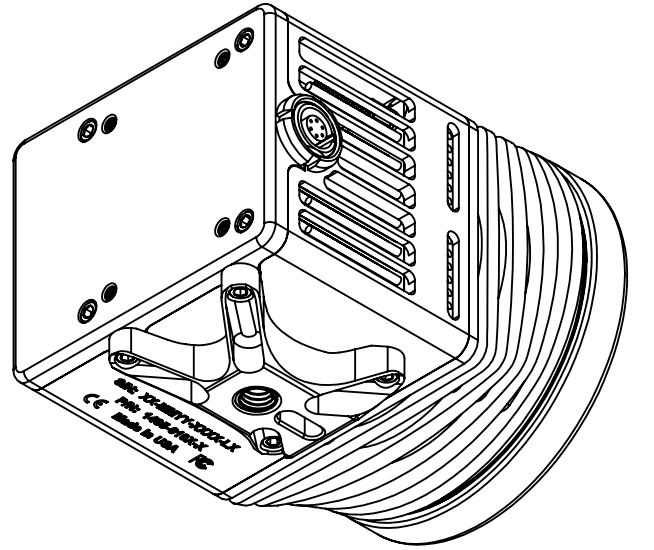
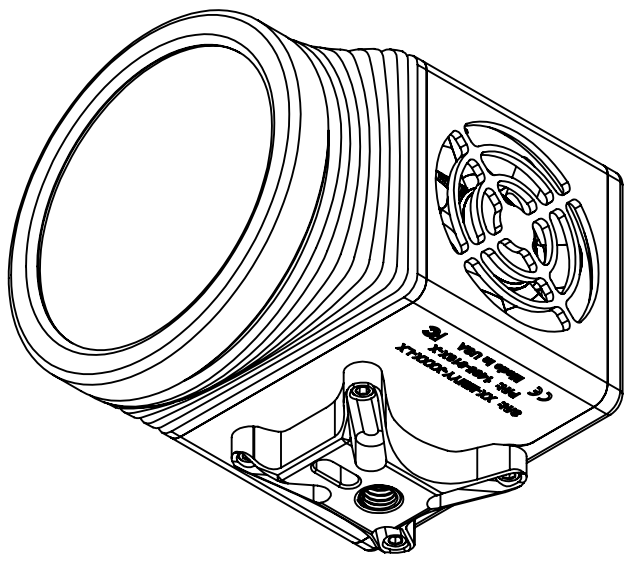
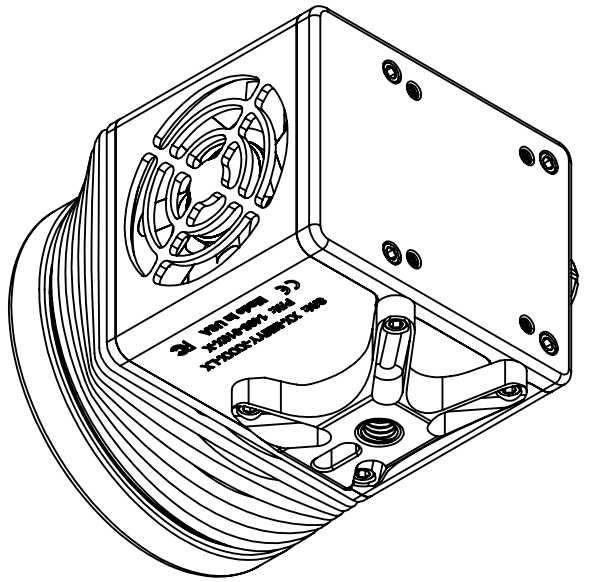
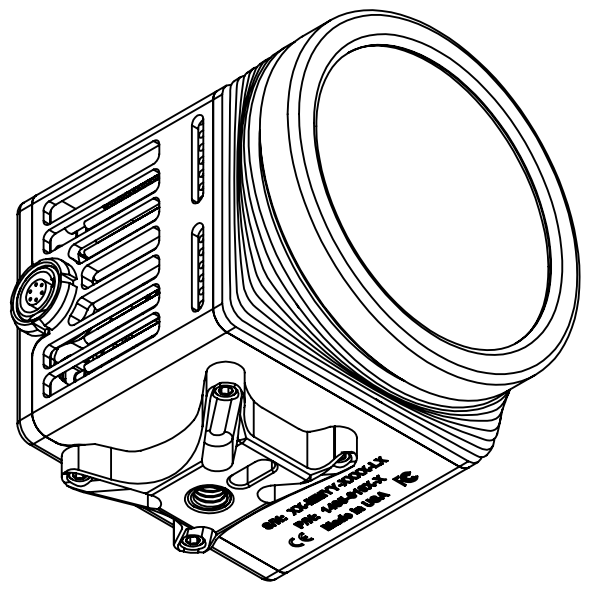
TRIPOD ANTI-ROTATION PIN SLOT
 ∇ 0.250 [6.35]

PROPRIETARY AND CONFIDENTIAL <small>THE INFORMATION CONTAINED IN THIS DRAWING IS THE SOLE PROPERTY OF INTEGRATED DESIGN TOOLS, INC. ANY REPRODUCTION IN PART OR AS A WHOLE WITHOUT THE WRITTEN PERMISSION OF INTEGRATED DESIGN TOOLS, INC. IS PROHIBITED.</small>	PROJECT NAME: miniC-120	INTEGRATED DESIGN TOOLS, INC <small>1 WEST MOUNTAIN STREET SUITE 3 PASADENA, CA 91103</small>		
	UNLESS OTHERWISE SPECIFIED: DIMENSIONS ARE IN INCHES TOLERANCES ON: FRACTIONAL DECIMAL ANGULAR ± 1/16 X ± .03 ± 1° .XX ± .01 .XXX ± .005	TITLE: INTERFACE CONTROL DOCUMENT (ICD), miniCONSTELLATION-120		
THIRD ANGLE PROJECTION 		SIZE: B	DWG. NO. 1405-0101	REV B
DO NOT SCALE DRAWING		SCALE: 1:1	DATE: 11/6/2018	SHEET 2 OF 3

8 7 6 5 4 3 2 1

**ISOMETRIC VIEWS
BASE TRIPOD MOUNT CONFIGURATION**

A



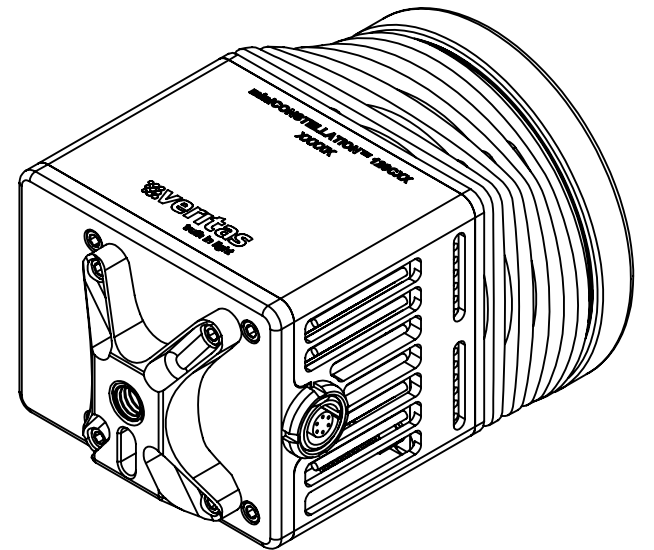
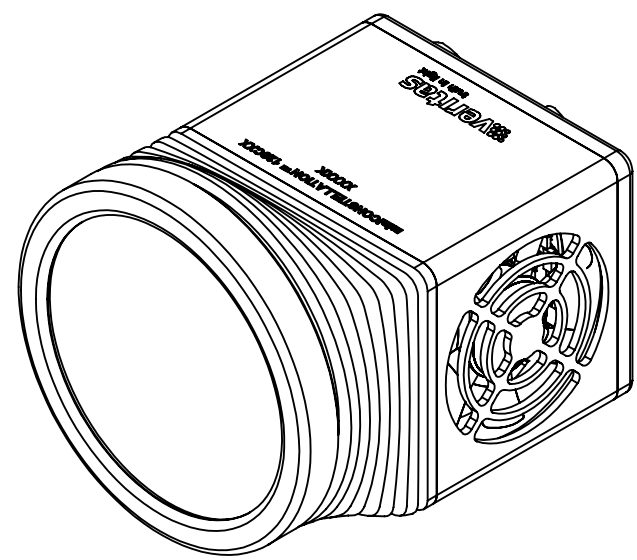
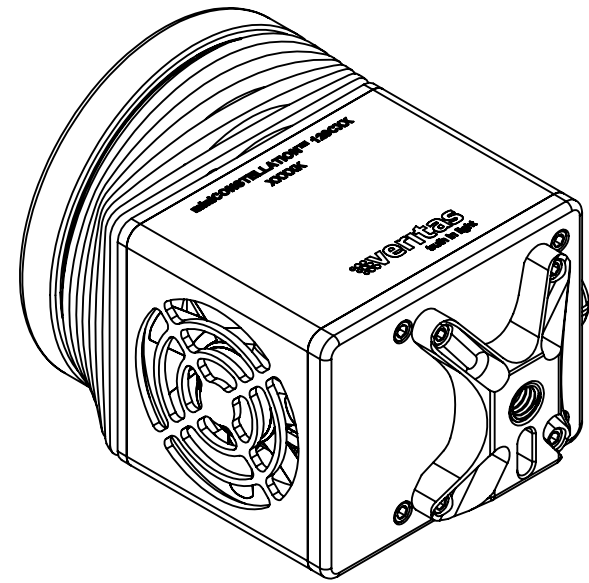
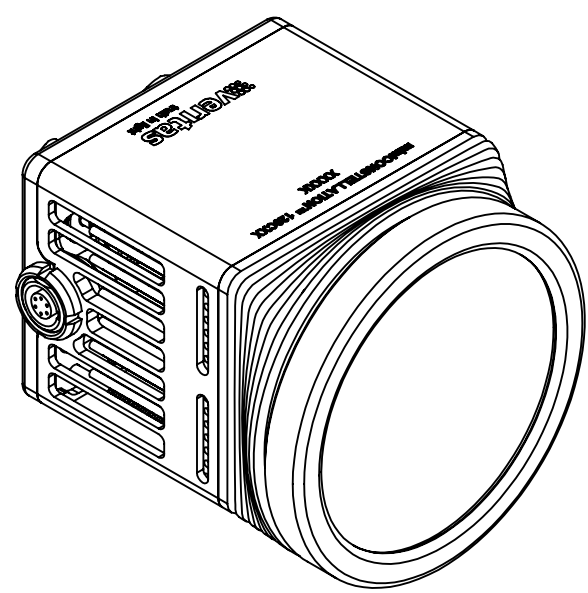
A

B

B

C

**ISOMETRIC VIEWS
REAR TRIPOD MOUNT CONFIGURATION**



C

D

D

E

E

<p>PROPRIETARY AND CONFIDENTIAL</p> <p>THE INFORMATION CONTAINED IN THIS DRAWING IS THE SOLE PROPERTY OF INTEGRATED DESIGN TOOLS, INC. ANY REPRODUCTION IN PART OR AS A WHOLE WITHOUT THE WRITTEN PERMISSION OF INTEGRATED DESIGN TOOLS, INC. IS PROHIBITED.</p>	<p>PROJECT NAME: miniC-120</p>	<p>INTEGRATED DESIGN TOOLS, INC 1 WEST MOUNTAIN STREET SUITE 3 PASADENA, CA 91103</p>	
	<p>UNLESS OTHERWISE SPECIFIED: DIMENSIONS ARE IN INCHES TOLERANCES ON: FRACTIONAL DECIMAL ANGULAR ± 1/16 X ± .03 ± 1° .XX ± .01 .XXX ± .005</p>	<p>TITLE: INTERFACE CONTROL DOCUMENT (ICD), miniCONSTELLATION-120</p>	
<p>THIRD ANGLE PROJECTION</p>	<p>veritas truth in light</p>	<p>SIZE: B</p>	<p>DWG. NO. 1405-0101</p>
<p>DO NOT SCALE DRAWING</p>		<p>SCALE: 1:1</p>	<p>DATE: 11/6/2018</p>
		<p>SHEET 3 OF 3</p>	